

APPLICATIONS

Model SV104 is suitable for a broad range of industrial applications, both new and retrofit. Typical applications employing Model SV104 include:

- Lab transfer pump from large drum to lab top dry tank.
- Lab bench set-up of process pilot plant.

FEATURES

- All TFE Teflon wetted materials.
- Self priming.
- Fully adjustable flow.
- Completely factory assembled - ready to use immediately.
- Ideal for D.I. Water applications.
- Can handle liquids to 250°F.

INTRODUCTION

Valcor Scientific, a Division of Valcor Engineering, has designed and engineered rugged, reliable solenoid operated valves and metering pumps for more than 50 years.

The Model SV104 was specifically engineered to handle free flowing corrosive and high purity liquids in a variety of industrial markets.

DESCRIPTION

The SV104 is a Teflon® metering pump designed to handle liquids to 250°F. Variable flow adjustment is accomplished by a solid state speed

controller to provide smooth, stepless control.

Specifically engineered to handle free flowing corrosive and high purity liquids, it is self-priming, which eliminates delay in initiating liquid flow.

The flow is continuously adjustable, and will remain constant to within 2% under stable voltage and pressure conditions.

The pump head is equipped with 1/4" Teflon tube fittings for use with 1/4" I.D. rigid tubing.

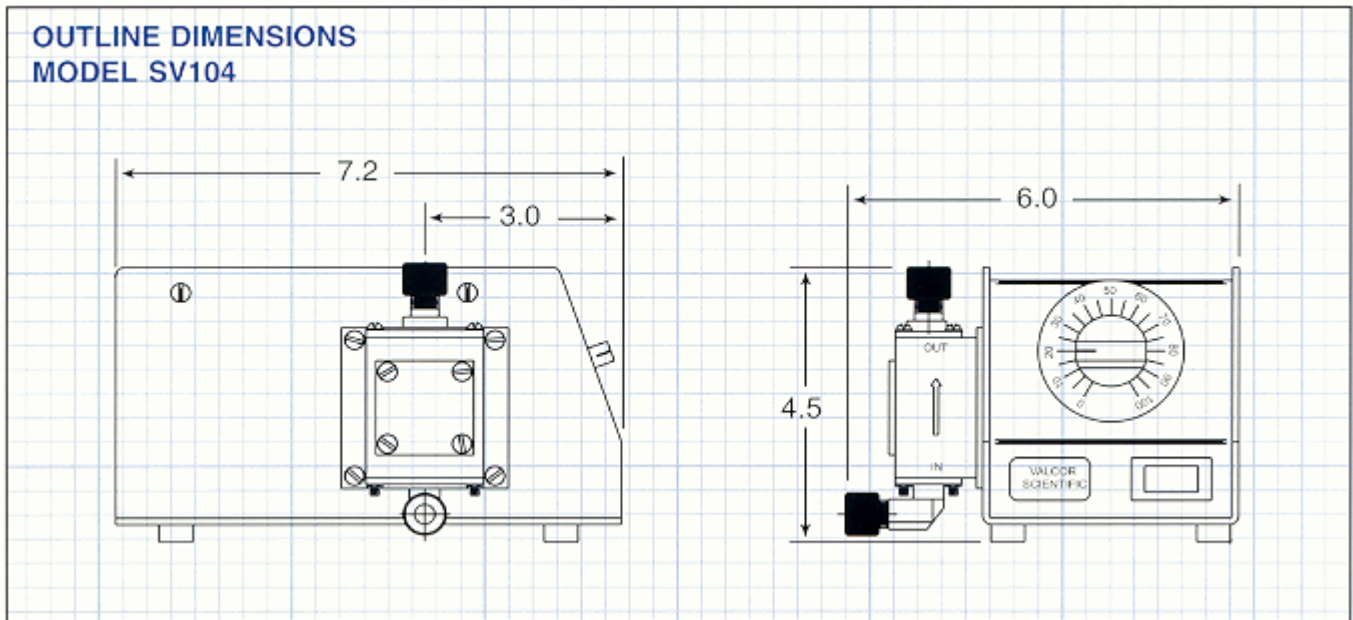
SPECIFICATIONS

Size: 4.5" H x 6.0" W x 7.2" D
Maximum Pressure: 15 psi
Output Range: 100 - 800 mL/min.
Electrical Requirements: 115V/60H, 15 Watts, .2 amps

Teflon® is a registered trademark of the DuPont company

ORDERING INFORMATION

Please specify Model Number SV104A44B



1

Valcor Scientific

Valcor Engineering Corporation®

2 Lawrence Road • Springfield, New Jersey 07081

973-467-8400 • Fax: 973-467-9592

scientific@valcor.com • www.valcor.com