

# High Purity Pneumatic Operated Valve

Model: SV51A Teflon, 2-Way, Normally Closed

Model: SV52A Teflon, 2-Way, Normally Open



## INTRODUCTION

Valcor Scientific, a Division of Valcor Engineering, has designed and engineered rugged, reliable pneumatic operated valves for more than 50 years.

The Models SV51A/SV52A are specifically engineered for controlling a wide range of industrial fluids as well as for bubble tight shut-off.

## DESCRIPTION

The SV51A/SV52A Series are direct acting, two-way, diaphragm valves, utilizing Valcor's

Dri-Operator design, in which a flexible diaphragm is used to isolate the valve's metallic parts from the fluid being handled.

The use of a TFE Teflon® body and diaphragm provides compatibility with a wide range of fluids as well as bubble-tight shut-off. The use of a right angle body provides greater flow for a given orifice size than comparable globe ported valves.

The SV51A/SV52A Series is available in four orifice sizes.

## APPLICATIONS

Model SV51A/SV52A valves are suitable for a broad range of light industrial applications, both new and retrofit. Typical applications employing Model SV51A/SV52A valves include:

- Cell counters and protein synthesis in biotechnology.
- Bottle filling machinery.
- Paper rolling, ambient air analyzers, filling machinery, aerosol equipment in industrial applications.
- Photo processing and chemical blending for reprographics.

## FEATURES

- Inert construction for use with a wide range of fluids.
- Virgin TFE Teflon® for maximum inertness.
- Bubble-tight shutoff.
- Higher flow than comparable globe ported valves.
- Mountable in any position.
- Direct acting design.

## SPECIFICATIONS

Size: ..... 3.5" H x 2.0" W x 1.5" D  
 4.0" H x 2.0" W x 1.5" D (N.O.)  
 Weight: ..... 4.0 oz. (127.7 g) N.C.  
 4.2 oz. (131.6 g) N.O.  
 Port Connection: ..... 1/4" NPT

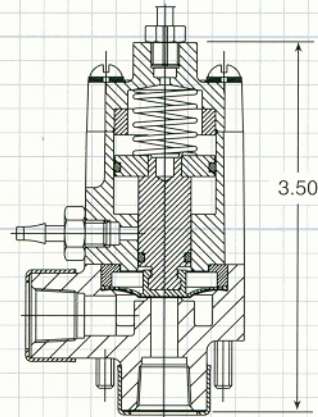
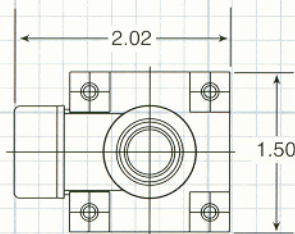
Materials in Contact with Fluid: TFE Teflon  
 Actuation Pressure: ..... 30 to 60 PSI Air  
 Special Requirements: ..... Consult Factory

*Teflon® is a registered trademark of the DuPont company*

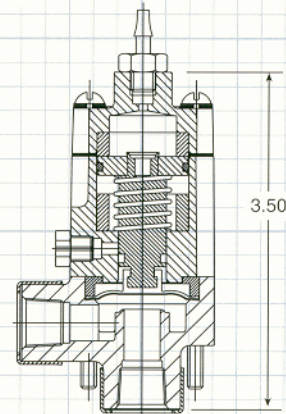
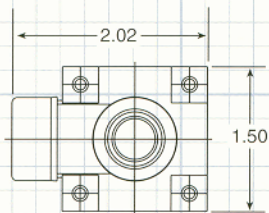
## PERFORMANCE SPECIFICATIONS

Model Number		Orifice Size	C <sub>v</sub>	PSIG		Minimum Actuating Pressure (PSI Air)
Normally Closed	Normally Open			Gas	Liquid	
SV51AT34-1	SV52AT34-1	1/16"	0.10	125	125	30 to 60
SV51AT34-3	SV52AT34-3	1/8"	0.40	85	40	30 to 60
SV51AT34-6	SV52AT34-6	1/4"	1.00	45	20	30 to 60
SV51AT34-8	SV52AT34-8	3/8"	1.90	15	12	30 to 60

### OUTLINE DIMENSIONS MODEL SV51A - NORMALLY CLOSED



### OUTLINE DIMENSIONS MODEL SV52A - NORMALLY OPEN



# 1

**Valcor Scientific**

**Valcor Engineering Corporation®**

2 Lawrence Road • Springfield, New Jersey 07081

973-467-8400 • Fax: 973-467-9592

scientific@valcor.com • www.valcor.com