

# Robertshaw

INDUSTRIAL PRODUCTS DIVISION

Sales Manual Section 160  
**PRODUCT SPECIFICATION "MAS"**  
 (For Temperature Regulator Service)

## Style "MAS" Valve Assembly

### FEATURES

- Sizes 3/4" - 2"
- Cast Steel Body
- 316 Stainless Steel Trim
- Single-seated . . . Piston balanced . . . Direct acting
- Piston located above steam flow line for self-cleaning during operation
- Fully modulating . . . provides greater control sensitivity
- "Lifetime" Teflon chevron stem maintenance-free packing with stainless steel valve stem
- Quick-disconnect stem construction
- Non-sticking poppet . . . no chatter . . . no rattle
- Tight-closing
- Choice of end connections

### GENERAL DESCRIPTION

The Robertshaw Type "MAS" valve is similar to the "MA" series but has a cast steel body for higher pressure and temperature service.

### SPECIFICATION

**Type:** .....Single-seated, fully balanced

**Sizes:** ..... 3/4" through 2"

**Action:** .....Direct-acting only  
 (closes with downward stem movement).

Fully modulating in action.

**Connections:** .... Female threaded ends, 3/4" through 1 1/2".

Class 300 ANSI flanges, 1" through 2"

Class 150 ANSI flanges, 1 1/2" & 2"

#### Materials:

**Valve Trim** .....Seats and poppets 316 stainless steel

**Valve Stem** ..... 316 stainless steel (highly finished).

Quick-detach type.

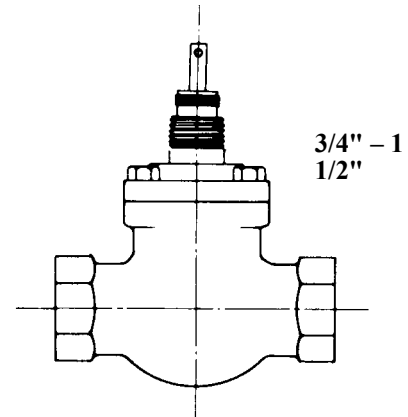
**Stem Packing** Stacked Teflon\* chevrons (spring-loaded).

**Valve Body** ..... Cast steel

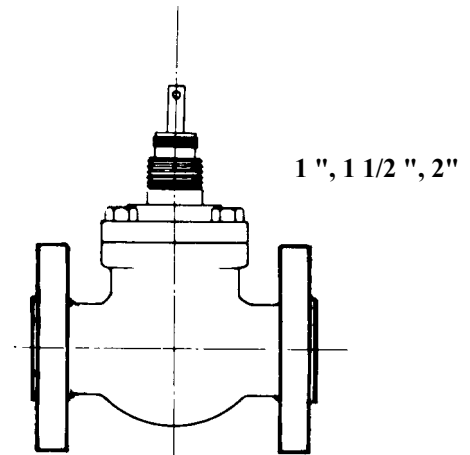
**Other Parts** ..... Stainless steel

**Capacity:** See Cv ratings in Dimensions table on back page.

\* Teflon is a registered tradename of DuPont Company



*Direct-acting only*



**Maximum Valve Design Ratings: (Supply Pressure and Allowable Pressure Drop)**

*Maximum pressure:* ..... 740 psi @ 100° F.  
*Maximum temperature:* ..... 450° F. @ 600 psi.  
*Max. pressure drop:* ..... 3/4" - 11/2", 250 psi;  
 2", 150 psi.

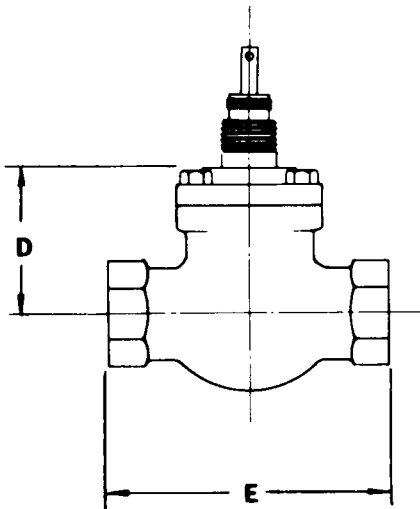
Type "MAS" used with self-actuated temperature regulator series.  
 Maximum Recommended Pressure Drops, PSI\*

Valve Size, In.	SATR SERIES							
	RT-1001	RT-1003	RT-1004	RT-1006	RT-1007	RT-1008	RT-1009	RT-1011
3/4	250	250	250	250	250	250	250	250
1	250	250	250	250	250	250	250	250
1 1/2	250	250	250	-	250	250	250	250
2	150	150	150	-	150	150	150	150

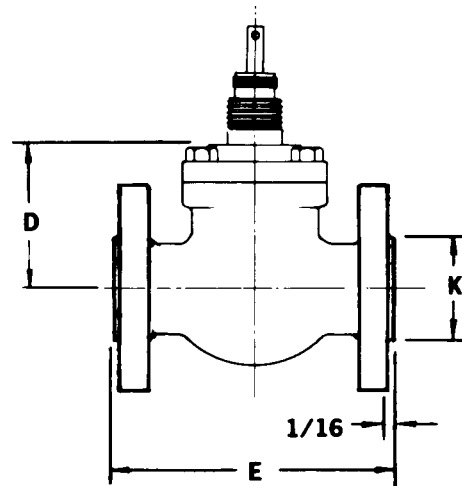
\* Supply pressure to valve less any back pressure to the valve.

**DIMENSIONS**

Valve Size	Cv	D	E		Flange Dia.	300 lb. ANSI RF Flanges				K
			Screwed	Flanged		Flange Thickness	Bolt Circle	Number Bolts	Bolt Hole Din.	
3/4	10.5	3-7/16	5-3/4	--	-	--	--	--	--	--
1	12.0	3-7/16	5-3/4	5-3/4	4-7/8	11/16	3-1/2	4	3/4	2
1 1/2	30	5-31/32	8-13/16	9-1/4	6-1/8	13/16	4-1/2	4	7/8	2-7/8
2	49	7-9/16	-	10-1/2	6-1/2	7/8	5	8	3/4	3-9/16



3/4", 1", 1 1/2" SIZES



1", 1 1/2", 2" SIZES

**NOTE:** Maximum factory test allowable leakage is 0.01% of rated capacity at 50, 75 and 100 psi.

*Robertshaw*

**U.S.A. and CANADA**

Robertshaw Industrial Products Division  
 1602 Mustang Drive  
 Maryville, TN 37801  
 Phone: (865) 981-3100 Fax: (865) 981-3168  
<http://www.robertshawindustrial.com>

**Exports**

Invensys Appliance Controls  
 2809 Emerywood Parkway  
 P.O. Box 26544  
 Richmond, Virginia 23261-6544  
 Phone: (804) 756-6500 Fax: (804) 756-6561