

Style "FA" Valve Assembly

FEATURES

- Sizes – 2 1/2" through 4", Direct-Acting
 3/4" through 4", Reverse -Acting
- Double-Seated
- Semi-Balanced
- Top and Bottom Guided
- Teflon or Rubber U-Cup maintenance-free stem packing.
- Quick disconnect stem

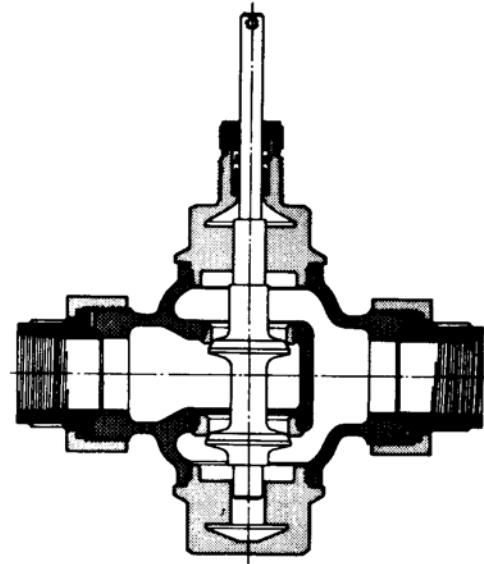
SPECIFICATIONS

Type: Double-seated, semi-balanced.

Connections:

- 3/4" through 1 1/2" - Threaded unions; Bronze
 Silver-braze available.
- 2" through 4" - Cast Iron class 125 and Bronze class 150
 ANSI flanges.

Flow Characteristics: Quick Opening



Reverse-Acting Type Illustrated

Capacity:

Valve Size, In.	3/4"	1"	1 1/4"	1 1/2"	2"	2 1/2"	3"	4"
Lift	5/32	3/16	7/32	1/4	5/16	3/8	7/16	9/16
Cv	9.3	17.6	22.5	30.4	59.3	82.5	130	226

Maximum Leakage (Factory Test):

- 3/4" to 2"- 0.5% of rated valve capacity at 50 psi.
- 2 1/2" to 4"- 0.5% of rated valve capacity at 20 psi.

NOTE: Leak hole drilled through web of valve upon request.

Action: Direct (Push down to close) or Reverse (Push down to open)

Maximum Valve Design Ratings: (Supply Pressure and Allowable Pressure Drop)

Bronze Bodies -

- Max. Supply Pressure:** 200 psi @ 100°F.
- Max. Temperature:** 400 °F @ 125 psi.
- Max. Pressure Drop:** Bronze trim, 50 psi;
 Monel trim, 125 psi

Cast Iron Bodies -

- Max. Supply Pressure:** 175 psi @ 100°F.
- Max. Temperature:** 350°F @ 125 psi.
- Max. Pressure Drop:** Bronze trim, 50 psi;
 Stainless Steel trim, 100 psi.

Materials:

- Valve Trim** See Table
 - Valve Stem** 316 stainless steel, highly finished (Monel or Monel-trimmed valves)
 - Stem Packing** Spring loaded chevrons (Teflon*) for Direct-acting valves; Rubber U-cup for Reverse acting valves.
 - Valve Body:** See table on back page.
- * Teflon is a registered trade name of DuPont Company.

**Type "FA" used with self-actuated temperature regulator series.
 Maximum Recommended Pressure Drops, PSI***

Valve Size, In.	SATR SERIES						
	RT-1001	RT-1003	RT-1004	RT-1006	RT-1007	RT-1009	RT-1011
3/4	125	125	125	125	125	125	125
1	110	125	125	125	125	125	125
1 1/4	110	125	125	125	125	125	125
1 1/2	85	125	125	90	125	125	125
2	30	85	100	40	55	85	85
2 1/2	25	65	100	--	45	65	65
3	20	55	90	--	35	55	55
4	15	40	70	--	25	40	40

* Supply pressure to the valve less any back pressure to the valve.

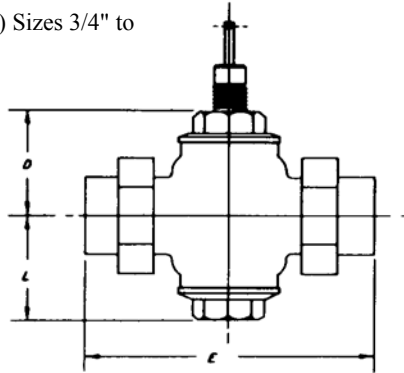
Available Body and Trim Materials:

Valve Size, In.	Direct Acting				Reverse Acting			
	Bronze Body		Cast Iron Body		Bronze Body		Cast Iron Body	
	Bz. Trim	Monel Trim	S. S. Trim	Bz. Trim	Bz. Trim	Monel Trim	S. S. Trim	Bz. Trim
3/4	--	--	--	--	X	X	--	--
1	--	--	--	--	X	X	--	--
1 1/4	--	--	--	--	X	X	--	--
2	--	--	--	--	X	X	X	X
2 1/2	--	--	X	--	--	X	X	--
3	--	--	X	--	--	X	X	--
4	--	--	X	--	--	X	X	--

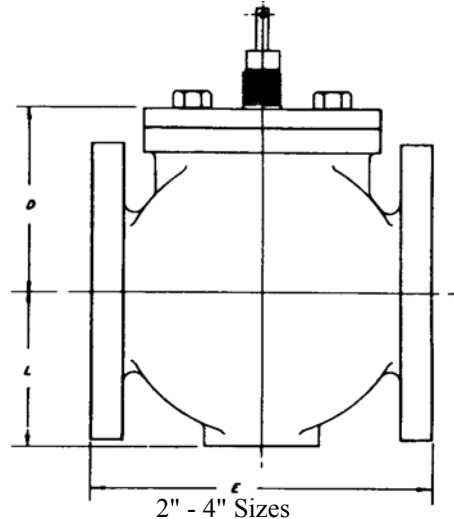
NOTE: Bronze trim is not recommended for more than 50 psi pressure drop across the valve.

DIMENSIONS (All dimensions in inches) Sizes 3/4" to 1 1/2", Screwed Union Ends

Valve Size, In.	Reverse Acting		
	D	L	E
3/4	2-1/16	2-5/16	5-5/8
1	2-13/16	3-1/16	7-1/4
1 1/4	2-13/16	3-1/16	7-13/16
1 1/2	3-1/8	3-3/8	8-1/2



3 / 4" - 1 1/2" Sizes



2" - 4" Sizes

Sizes 2" through 4", Cast Iron Class 125 and Bronze Class 150 ANSI Flanges

Valve Size, In.	Direct Acting			Reverse Acting			Flange Diameter	Flange Thickness		Diameter Bolt Circle	No. of Bolts	Diameter Bolt Holes
	D	L	E	D	L	E		Cast Iron	Bronze			
								1/2	1/2			
2	3-13/16	3-1/8	7	3-1/8	4-13-16±1/8	7	6	5/8	1/2	4-3/4	4	3/4
2 1/2	4-3/8	3-5/8	7-3/4	3-5/8	4-23 / 32±1/8	7-3/4	7	11/16	9/16	5-1/2	4	3/4
3	4-3/4	3-15/16	8-5/8	3-15/16	5-1 / 8±1/8	8-5/8	7-1/2	3/4	5/8	6	4	3/4
4	5-13/16	5	10-3/8	5	6-5 / 32±1/8	10-3/8	9	15/16	11/16	7-1/2	8	3/4

Robertshaw

U.S.A. and CANADA

Robertshaw Industrial Products Division

1602 Mustang Drive

Maryville, Tennessee 37801

Phone: (865) 981-3100 Fax: (865) 981-3168

<http://www.robertshawindustrial.com>

Exports

Invensys Appliance Controls

1701 Byrd Avenue

P.O. Box 26544

Richmond, Virginia 23261-6544

Phone: (804) 756-6500 Fax: (804) 756-6561

