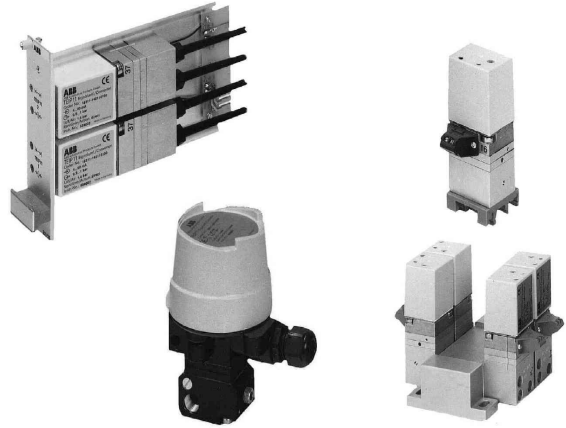


Actuators & Positioners Electro-Pneumatic Converters P/I Signal Converter Field Mounts & Panel Control Room Utilization

- Standard Ranges: 3...15 psi and 3...27 psi
- Ceramic Sensor and 316 SS Process Connection
- Long Term Reliability and Repeatability
- Compact, Rugged NEMA 4X housing for field mounting
- Two-Wire Strain Gauge Technology
- Highly flexible - Suitable for gaseous and liquid aggressive mediums
- Power Supply Ranges: 12 to 35 VDC



P/I Signal Converters

P/I Signal Converter

This conveniently small and lightweight P/I signal converter is impervious to shock and vibration.

The P/I converts either a standard 3 - 15 psi, 3 - 27 psi or 6 - 30 psi pneumatic signal into an electric signal of 4...20 mA with a high degree of accuracy.

Unlike most units which use a piezo electric element, the Sensycon P/I uses strain gauge technology to provide for long term stability. This unit is a two-wire device which can operate with a power supply range of 12 to 35 VDC.

The P/I converter is a very versatile instrument. It provides great flexibility for mounting and positioning. Three mounting configurations are offered. As a stand alone DIN rail mount unit (for simple clip-on mounting to three types of DIN rail); as a field mount unit with epoxy-coated metal housing and optional 316 SS 2" pipe mounting bracket; and as a 19" rack mount unit in either single or twin mount configuration on a single card.

Engineering Specifications

Input range:	3-15, 3-27, 6-30 psi (1.50 overload safe protection)
Output:	4-20 mA, reverse or direct acting.
Maximum load (ohms):	$(V_s - 12) / 0.02 \text{ A}$
Power Supply:	$V_s = 12 \dots 35 \text{ VDC}$
Linearity error:	$\leq 0.5\%$
Hysteresis:	$\leq 0.15\%$
Response threshold:	$\leq 0.1\%$
Power supply influence:	$\leq 0.15\%$
Temperature influence:	+1.4% / 10K for DIN & rack mount +0.4% / 10K for field mount
Shock influence:	<0.5% with <1g, <80 Hz
RFI noise interference:	In accordance with IEC 801/3 (VDE 084313) <1% at 3V/m within the frequency band of 27MHz...1GHz
Step response:	0.25s (10-90/90-10%)
Temperature limits:	Operation: -4°...+140°F (-20°...+60°C)
Relative humidity:	75% average; 90% maximum
Weight:	.5 lb DIN; 1.5 lb metal unit or single rack mount; 2 lb twin rack mount.

Dimensional Drawings:

