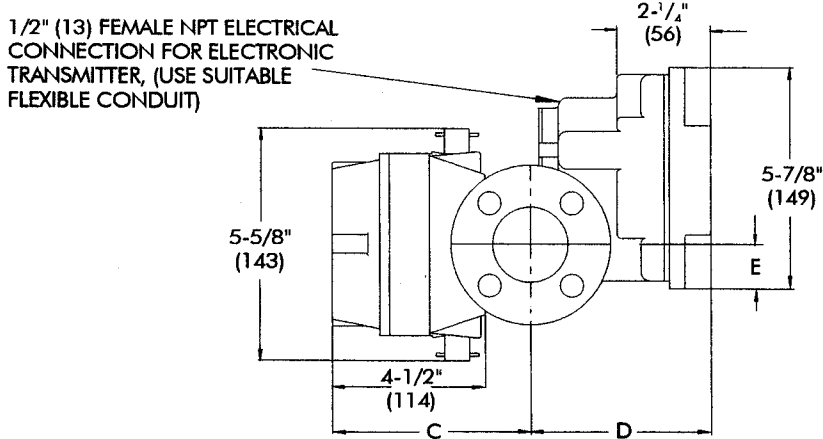


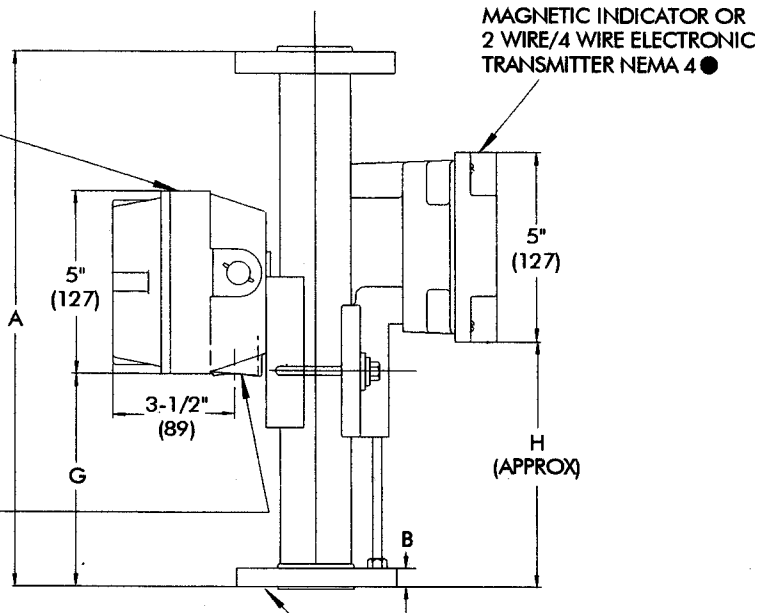
# STRAIGHT THROUGH PVC VAREA-METER®

WITH MAGNETIC INDICATOR OR 2-WIRE/4-WIRE ELECTRONIC TRANSMITTER WITH FLOW SWITCH FOR USE IN HAZARDOUS LOCATIONS



FLOW SWITCH  
UL LISTED CLASS I, DIV. 1 & 2  
GROUPS C & D, OR CLASS II,  
DIV. 1 & 2 GROUPS E, F, & G  
HAZARDOUS LOCATIONS ◆

3/4" (19) FEMALE NPT ELECTRICAL  
CONNECTION (USE FLEXIBLE  
CONDUIT SUITABLE FOR  
HAZARDOUS LOCATION) ◆



MAGNETIC INDICATOR OR  
2 WIRE/4 WIRE ELECTRONIC  
TRANSMITTER NEMA 4 ●

(F) PVC FLANGE

METER SIZE	A	B	C	D	E	F ●	G	H
1/2" (13)	14-5/16" (364)	1" (25)	5-1/4" (133)	4-1/8" (105)	1-5/16" (33)	1" (25)	5-1/2" (140)	6" (152)
3/4" (19)	14-5/16" (364)	1" (25)	5-1/4" (133)	4-1/8" (105)	1-5/16" (33)	1" (25)	5-1/2" (140)	6" (152)
1" (25)	14-5/16" (364)	1" (25)	5-1/4" (133)	4-1/8" (105)	1-5/16" (33)	1" (25)	5-1/2" (140)	6" (152)
1-1/2" (38)	15" (381)	1" (25)	5-7/16" (138)	4-9/16" (116)	1-3/16" (30)	1-1/2" (38)	6-1/8" (156)	6-5/8" (168)
2" (51)	17" (432)	1-1/4" (33)	6" (153)	5-3/8" (137)	11/16" (17)	2" (51)	7-15/16" (202)	8-7/16" (214)
3" (76)	18-1/2" (470)	1-3/4" (44)	5-5/8" (143)	5-3/8" (137)	11/16" (17)	3" (76)	8-7/8" (225)	9-3/8" (238)

## USFilter

Wallace & Tiernan Products  
1901 West Garden Road  
Vineland, NJ 08360  
856.507.9000 phone  
856.507.4125 fax

<http://www.wallaceandtiernan.usfilter.com>

DIMENSIONS  
CN521.248UA

REV. 10/97

NOTE:

- ◆ AS DEFINED BY NEC
- BOLT HOLE CIRCLE AND HOLE SIZE IN ACCORDANCE WITH STANDARD 150 LB S.I. SPECIFICATION.
- ▲ ELECTRONIC TRANSMITTER FACTORY MUTUAL APPROVED INTRINSICALLY SAFE FOR CLASS I, DIV. I GROUPS C & D WHEN INSTALLED WITH APPROVED BARRIER.