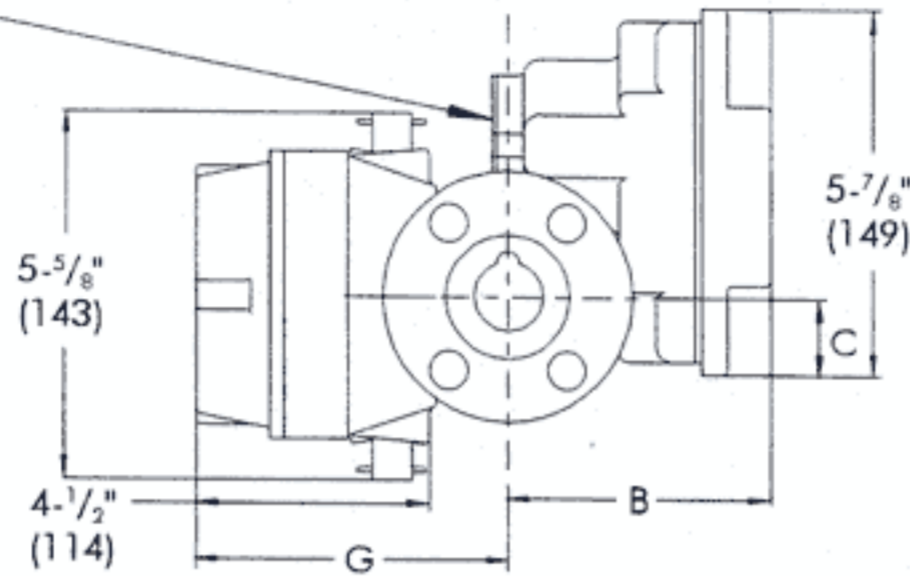


STRAIGHT THROUGH METAL-TUBE VAREA-METER[®]

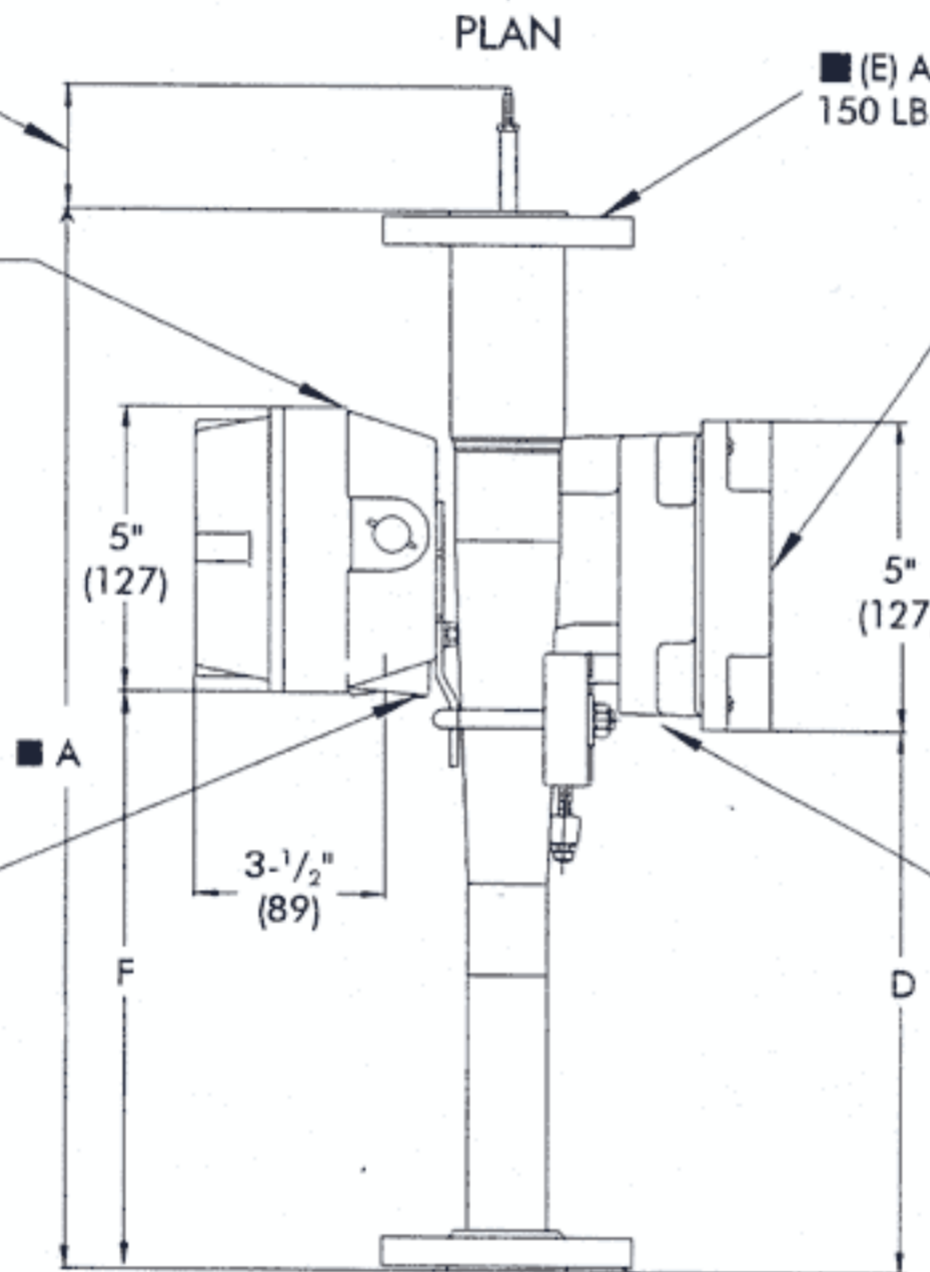
WITH 2-WIRE TRANSMITTER EXPLOSION PROOF FOR HAZARDOUS
LOCATIONS WITH FLOW SWITCH FOR HAZARDOUS LOCATIONS ◆

1/2" (13) FEMALE NPT ELECTRICAL
CONNECTION FOR ELECTRONIC
TRANSMITTER. (USE SUITABLE
FLEXIBLE CONDUIT)



5-5/8" (143) MINIMUM CLEARANCE
REQUIRED FOR FLOAT TRAVEL

FLOW SWITCH UL LISTED
CLASS I, DIV. 1&2, GROUPS
C & D OR CLASS II DIV. 1 & 2
GROUPS E,F, & G.
HAZARDOUS LOCATIONS ◆



■ (E) ANSI RAISED FACE FLANGE
150 LB. OR 300 LB.

2-WIRE ELECTRONIC
TRANSMITTER ▲

3/4" (19) FEMALE NPT ELECTRICAL
CONNECTION (USE SUITABLE
FLEXIBLE CONDUIT, FOR
HAZARDOUS LOCATIONS ◆

3/4" (19) FEMALE NPT ELECTRICAL
CONNECTION (USE SUITABLE
FLEXIBLE CONDUIT, FOR
HAZARDOUS LOCATIONS ◆

ELEVATION

■ (E) ANSI RAISED FACE FLANGE
150 LB. OR 300 LB.

METER SIZE	A	B	C	D	E	F	G
1/2" (13)	18" (457)	3-9/16" (90)	1-9/16" (40)	9-3/16" (233)	1" (25)	8-15/16" (227)	5-5/8" (143)
3/4" (19)	18" (457)	4-3/16" (106)	1-5/16" (33)	9-7/16" (240)	1" (25)	8-7/16" (214)	5-1/2" (140)
1" (25)	18" (457)	4-3/16" (106)	1-5/16" (33)	9-7/16" (240)	1" (25)	8-7/16" (214)	5-3/4" (146)
1-1/2" (38)	20" (508)	4-3/4" (121)	1-3/16" (30)	10-1/8" (251)	1-1/2" (38)	9" (229)	6" (152)
2" (51)	20" (508)	5-7/16" (138)	11/16" (17)	9-3/4" (248)	2" (51)	8-3/4" (222)	6-3/8" (162)

USFilter

Wallace & Tiernan Products
1901 West Garden Road
Vineland, NJ 08360
856.507.9000 phone
856.507.4125 fax

<http://www.wallaceandtiernan.usfilter.com>

▲ 2 OR 4 WIRE ELECTRONIC TRANSMITTER FACTORY MUTUAL APPROVED EXPLOSION-PROOF FOR CLASS I,
DIV. I, GROUPS A, B, C & D OR CLASS II, DIV. I, GROUPS E, F, & G HAZARDOUS LOCATIONS ◆

◆ AS DEFINED BY NEC.

■ FOR 600 LB. & MISC. FLANGE, SEE CAT. NO. 521.085.

FLOAT ROD DOES NOT PROTRUDE TOP OR BOTTOM AT ZERO POSITION

DIMENSIONS
CN521.258UA

REV. 12/99