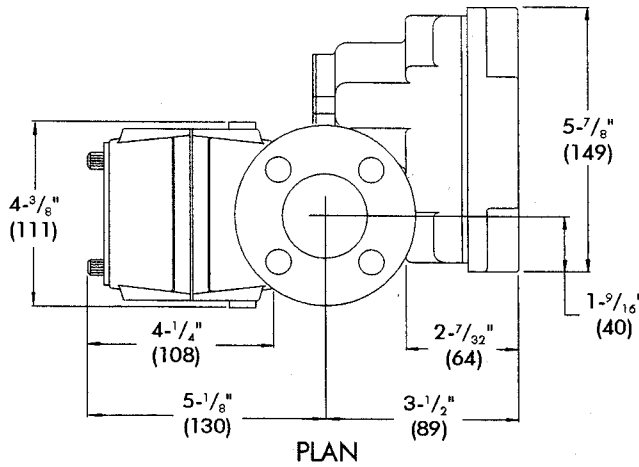


1/2" BY-PASS METAL-TUBE VAREA-METER®

WITH MAGNETIC INDICATOR OR 2-WIRE/4-WIRE TRANSMITTER
WITH GENERAL PURPOSE FLOW SWITCH

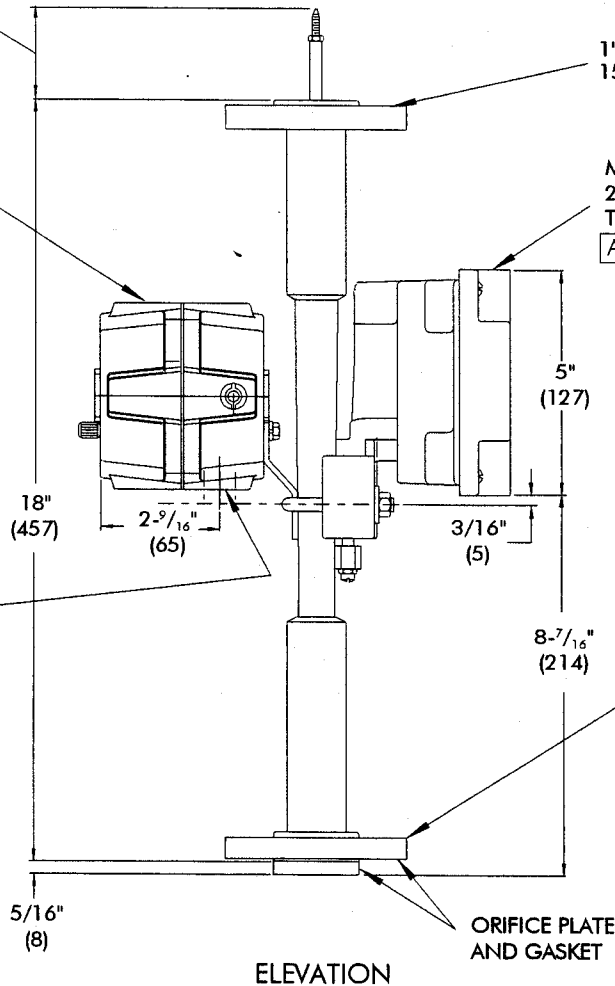


5-5/8" MINIMUM CLEARANCE
REQUIRED FOR FLOAT TRAVEL

FLOW SWITCH FOR GENERAL
PURPOSE LOCATIONS
NEMA 4 ENCLOSURE

1" ANSI RAISED FACE FLANGE
150 LB. OR 300 LB.

MAGNETIC INDICATOR OR
2 WIRE / 4 WIRE ELECTRONIC
TRANSMITTER NEMA 4
A INTEGRAL FLOW ALARM



1/2" N.P.T. FEMALE
ELECTRICAL CONNECTION
(USE SUITABLE FLEXIBLE
CONDUIT)

USFilter

Wallace & Tiernan Products
1901 West Garden Road
Vineland, NJ 08360
856.507.9000 phone
856.507.4125 fax

NOTE: FLOAT ROD DOES NOT PROTRUDE AT TOP OR BOTTOM AT ZERO POSITION.
FOR DIMENSIONS NOT SHOWN, SEE APPROPRIATE METAL TUBE VAREA-METER
DIMENSION DRAWING.

A ACCESSORY ITEM FOR MAGNETIC INDICATOR AND/OR ELECTRONIC TRANSMITTER.

<http://www.wallaceandtiernan.usfilter.com>

DIMENSIONS
CN521.242UA

REV. 12/99