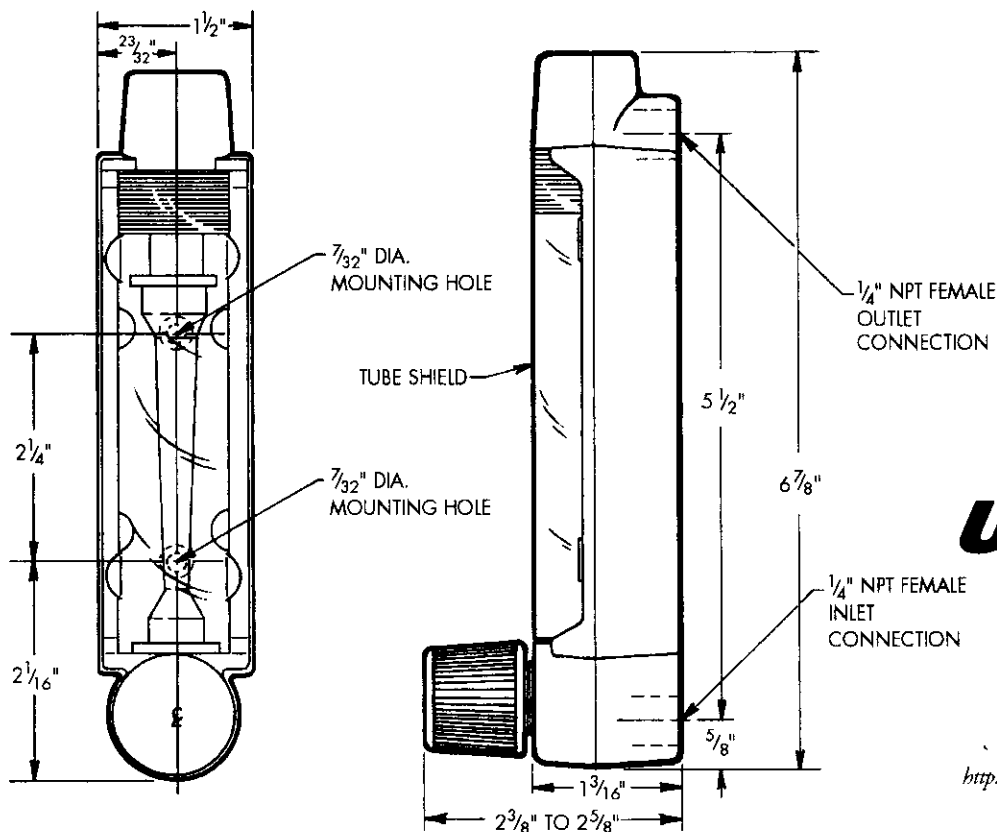
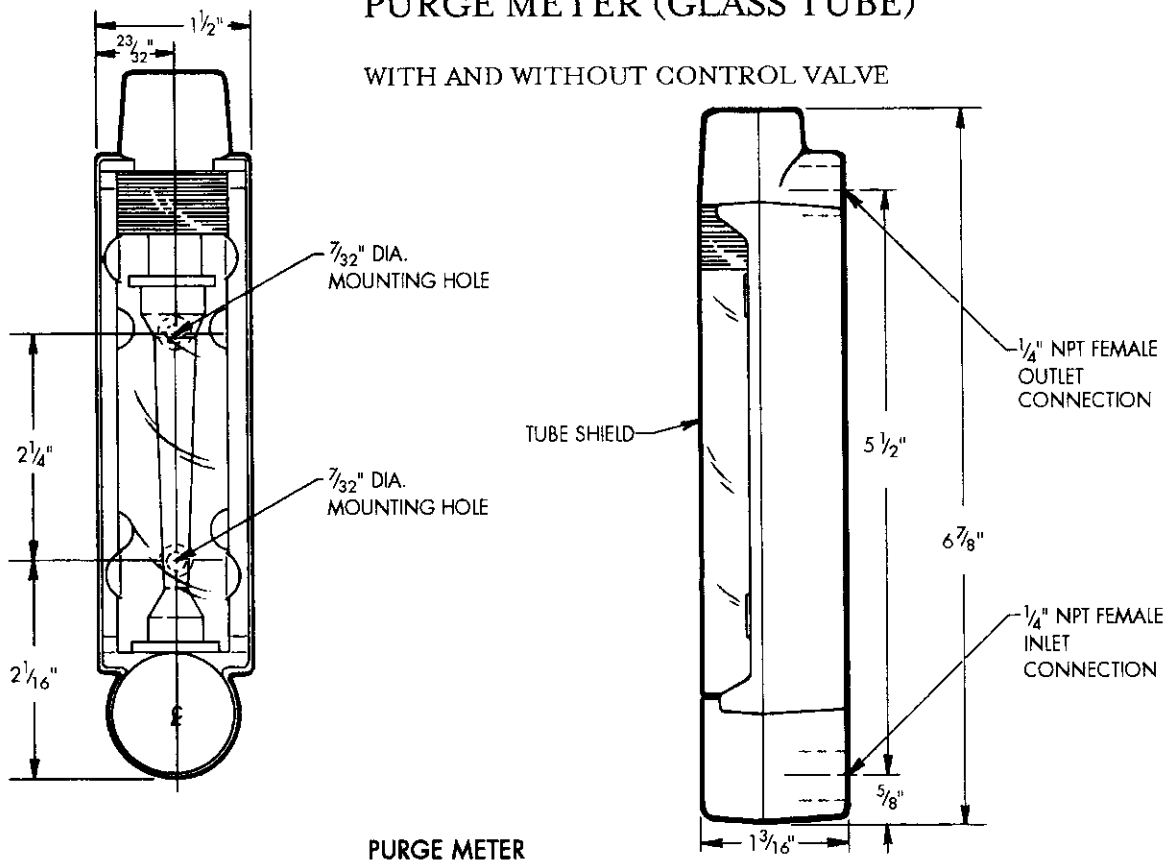


CORROSION RESISTANT-KYNAR FRAME

PURGE METER (GLASS TUBE)

WITH AND WITHOUT CONTROL VALVE



USFilter

Wallace & Tiernan Products
1901 West Garden Road
Vineland, NJ 08360
856.507.9000 phone
856.507.4125 fax

<http://www.wallaceandtiernan.usfilter.com>

DIMENSIONS
CN 511.043
REVISED 1/98