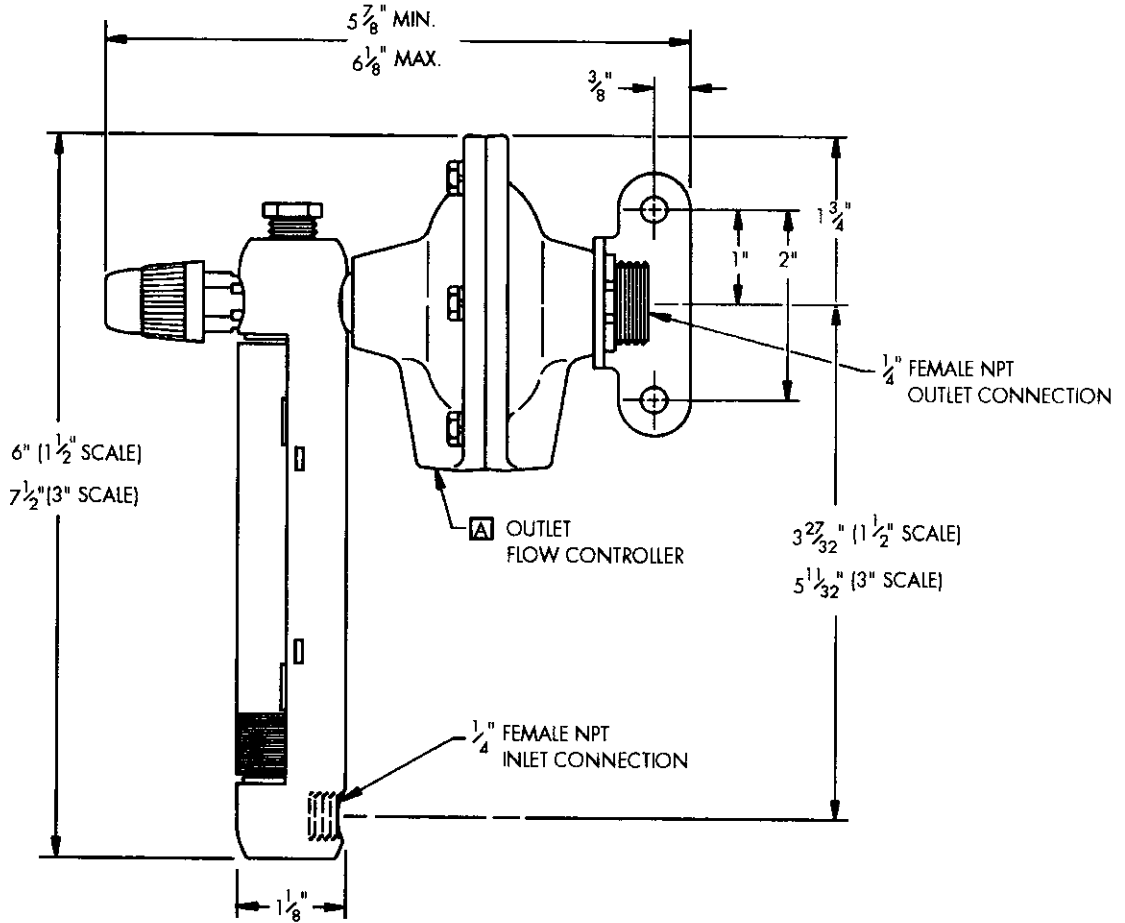


# GLASS TUBE PURGE METER

WITH OUTLET FLOW CONTROLLER



NOTE: ACCESSORY ITEM FURNISHED ONLY IF SPECIFICALLY LISTED IN QUOTATION AND AS CHECKED ON THIS DRAWING.

## **USFilter**

Wallace & Tiernan Products  
1901 West Garden Road  
Vineland, NJ 08360  
856.507.9000 phone  
856.507.4125 fax

<http://www.wallaceandtiernan.usfilter.com>

DIMENSIONS  
CN 511.053  
REVISED 1/98