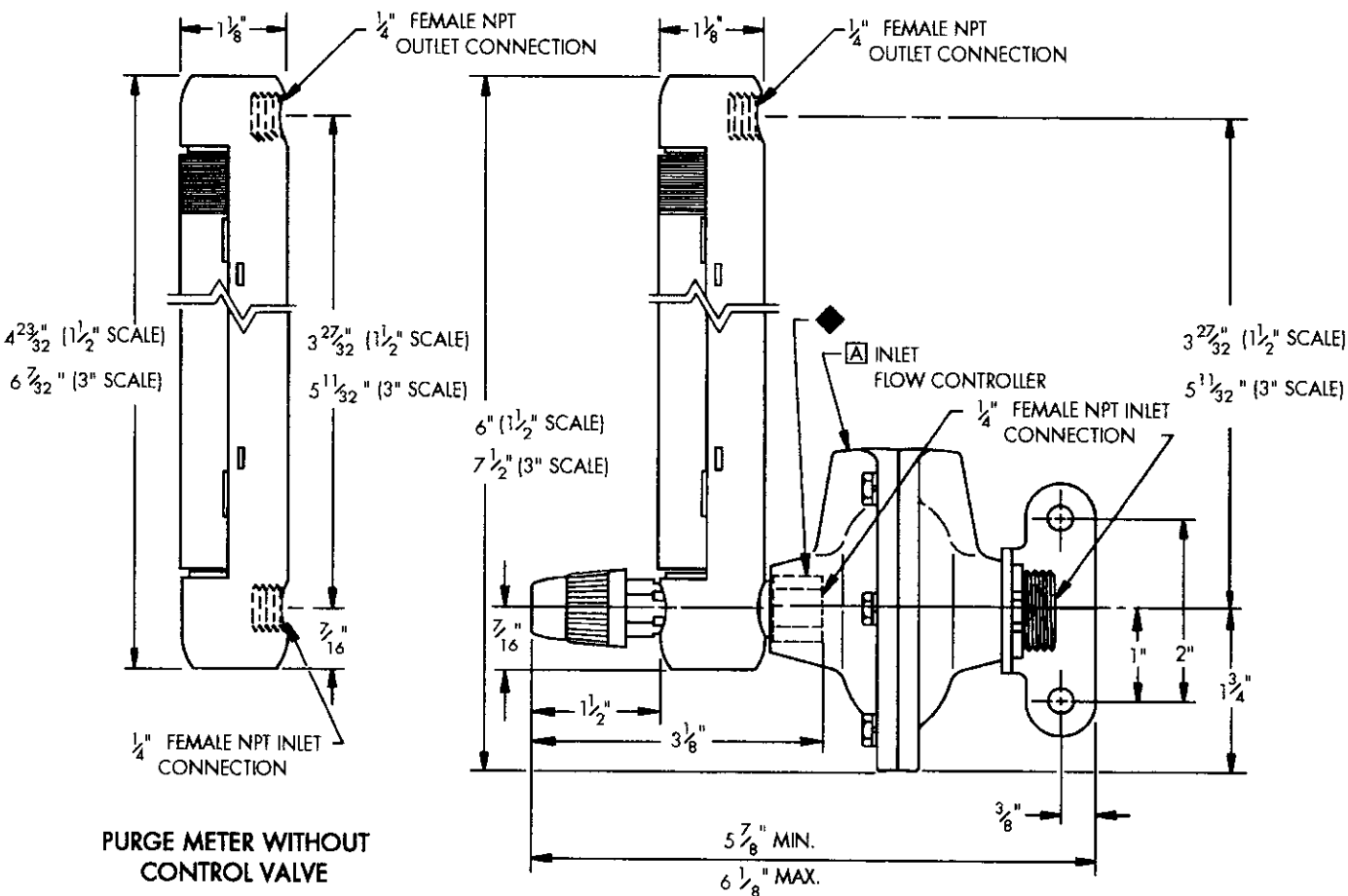


GLASS TUBE PURGE METER



NOTE:

- A ACCESSORY ITEM FURNISHED ONLY IF SPECIFICALLY LISTED IN QUOTATION AND AS CHECKED ON THIS DRAWING
- ◆ NOT USED WITH PURGE METER

USFilter

Wallace & Tiernan Products
 1901 West Garden Road
 Vineland, NJ 08360
 856.507.9000 phone
 856.507.4125 fax

<http://www.wallaceandtiernan.usfilter.com>

DIMENSIONS
 CN 511.051
 REVISED 1/98