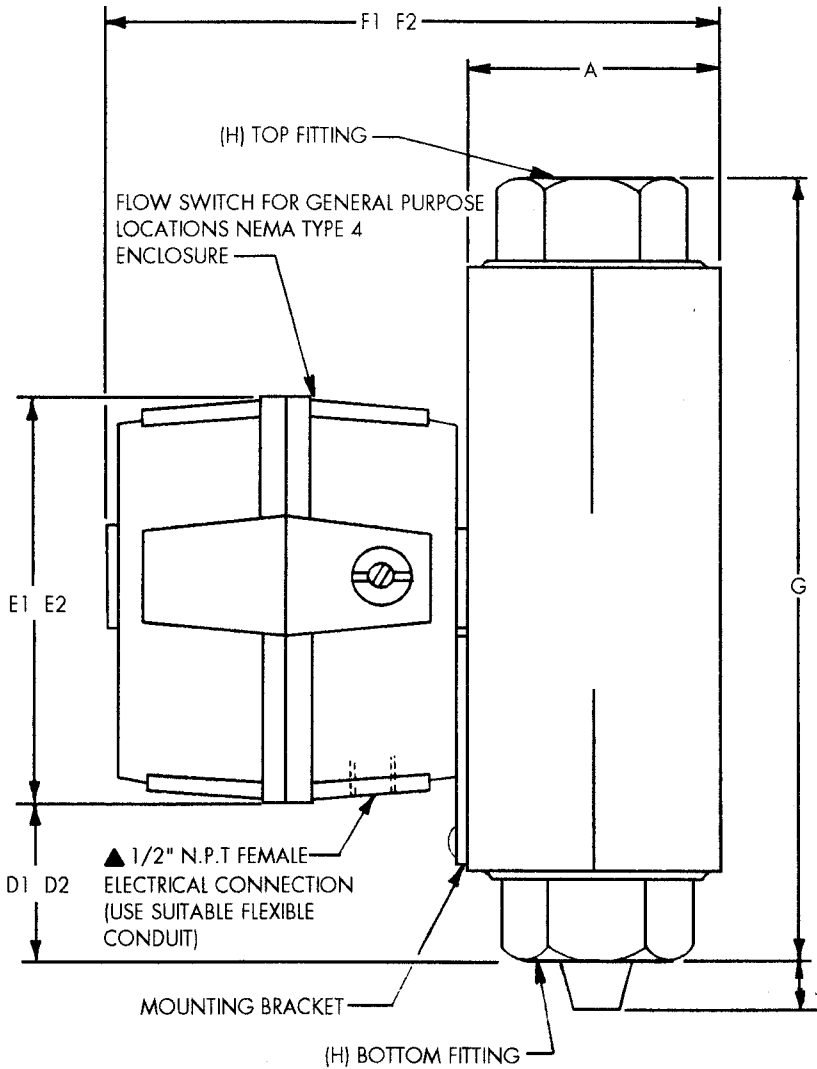
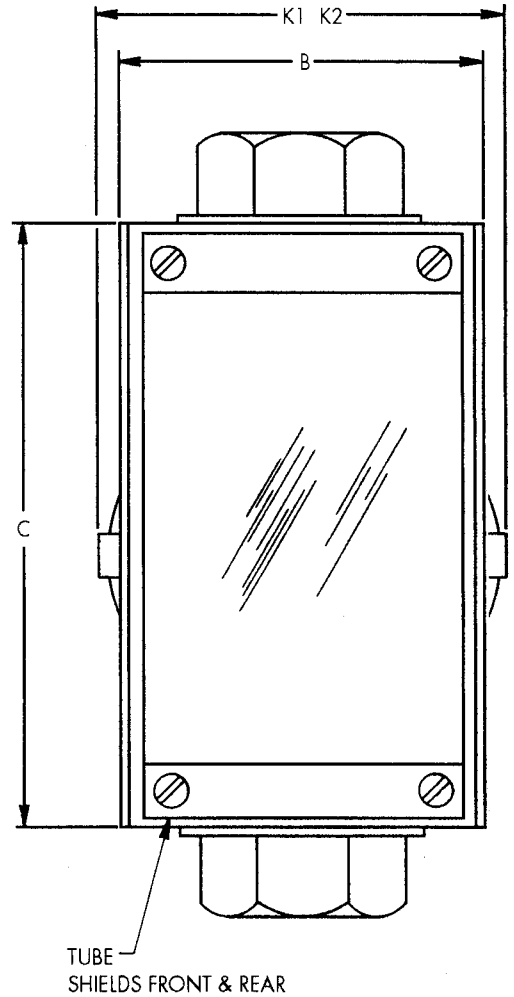


SERIES 55-100 DIRECT-VIEW FLOWMETER

WITH OPTIONAL FLOW SWITCH
AND POLYCARBONATE TUBE SHIELDS FOR LIQUID SERVICE BELOW 140°F



SIDE VIEW
(WITH OPTIONAL FLOW SWITCH)



FRONT VIEW

TUBE SIZE	A	B	C	D1	D2	E1	E2
1/2"	1-27/32"	2-15/32"	5-7/16"	1"	1-5/8"	5"	4"
1"	2-19/32"	3-3/16"	6-15/32"	1-9/32"	1-7/8"	5"	4"
1-1/2"	3-5/8"	4-15/16"	8-15/16"	1-9/16"	2-3/16"	5"	4"
2"	5"	6-3/16"	9-27/32"	1-3/4"	2-3/8"	5"	4"

TUBE SIZE	F1	F2	G	H	J	K1	K2
1/2"	6-1/2"	5-5/8"	6-15/16"	1/2" NPT		5-1/2"	4-1/2"
1"	7-1/8"	6-5/16"	8-5/16"	1" NPT	5/16"	5-1/2"	4-1/2"
1-1/2"	8-1/8"	7-3/8"	10-15/16"	1-1/2" NPT	1"	5-1/2"	4-15/16"
2"	9-1/2"	8-3/4"	12-1/4"	2" NPT	1-3/8"	6-3/16"	6-3/16"

D1, E1, F1, & K1= HAZARDOUS LOCATION*FLOW SWITCH
D2, E2, F2, & K2= GENERAL PURPOSE FLOW SWITCH

NOTE: * AS DEFINED BY NEC.

▲ 3/4" N.P.T. (HAZARDOUS LOCATION)
1/2" N.P.T. (GENERAL PURPOSE)

USFilter

Wallace & Tiernan Products
1901 West Garden Road
Vineland, NJ 08360
856.507.9000 phone
856.507.4125 fax

<http://www.wallaceandtiernan.usfilter.com>

DIMENSIONS
CN 551.001
REVISED 1/98