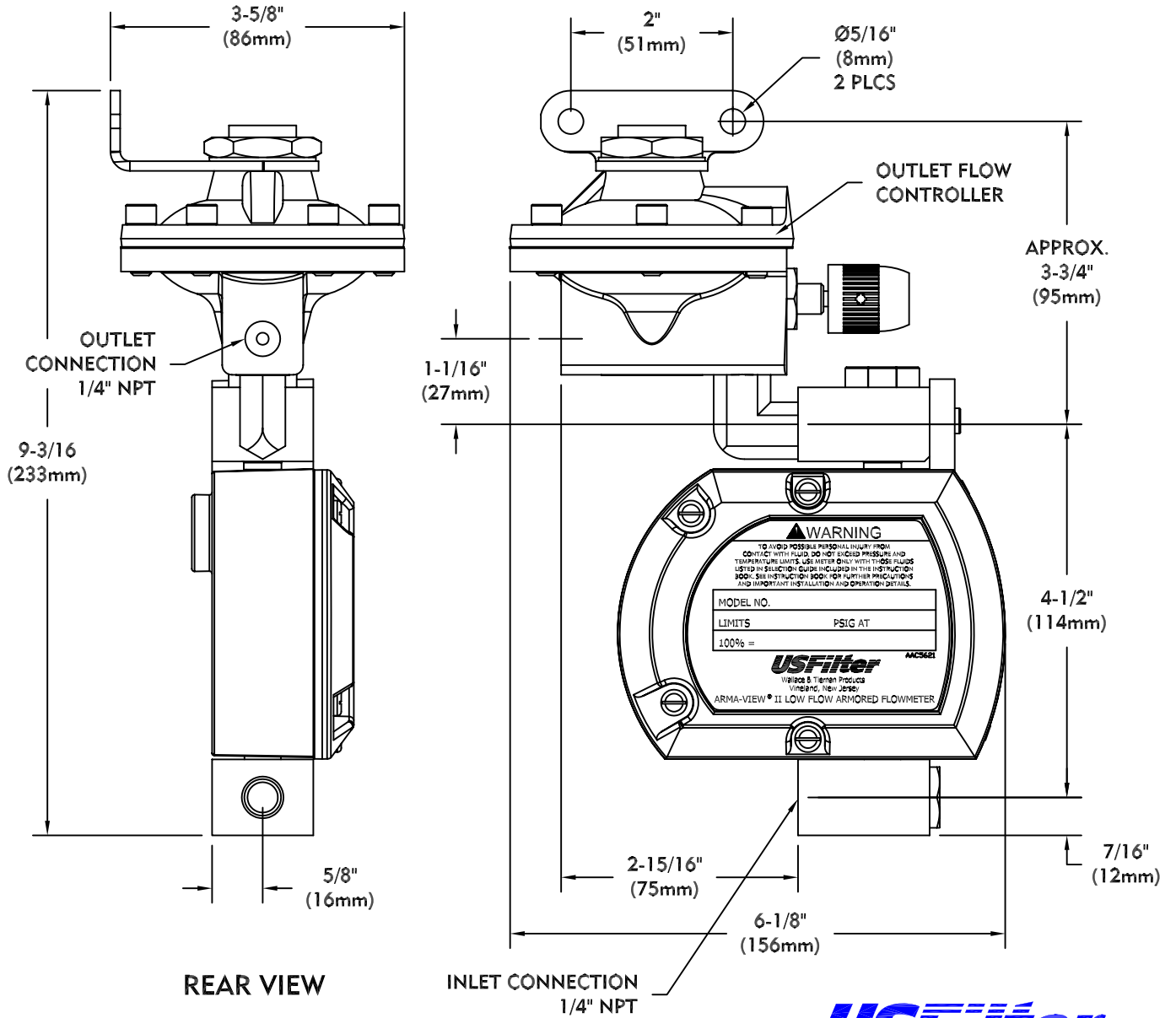


ARMA-VIEW® II LOW FLOW ARMORED PURGEMETER WITH OUTLET FLOW CONTROLLER



USFilter

Wallace & Tiernan Products
 1901 West Garden Road
 Vineland, NJ 08360
 856.507.9000 phone
 856.507.4125 fax

<http://www.wallaceandtiernan.usfilter.com>

DIMENSIONS
CN511.069
 ISSUED 08/03