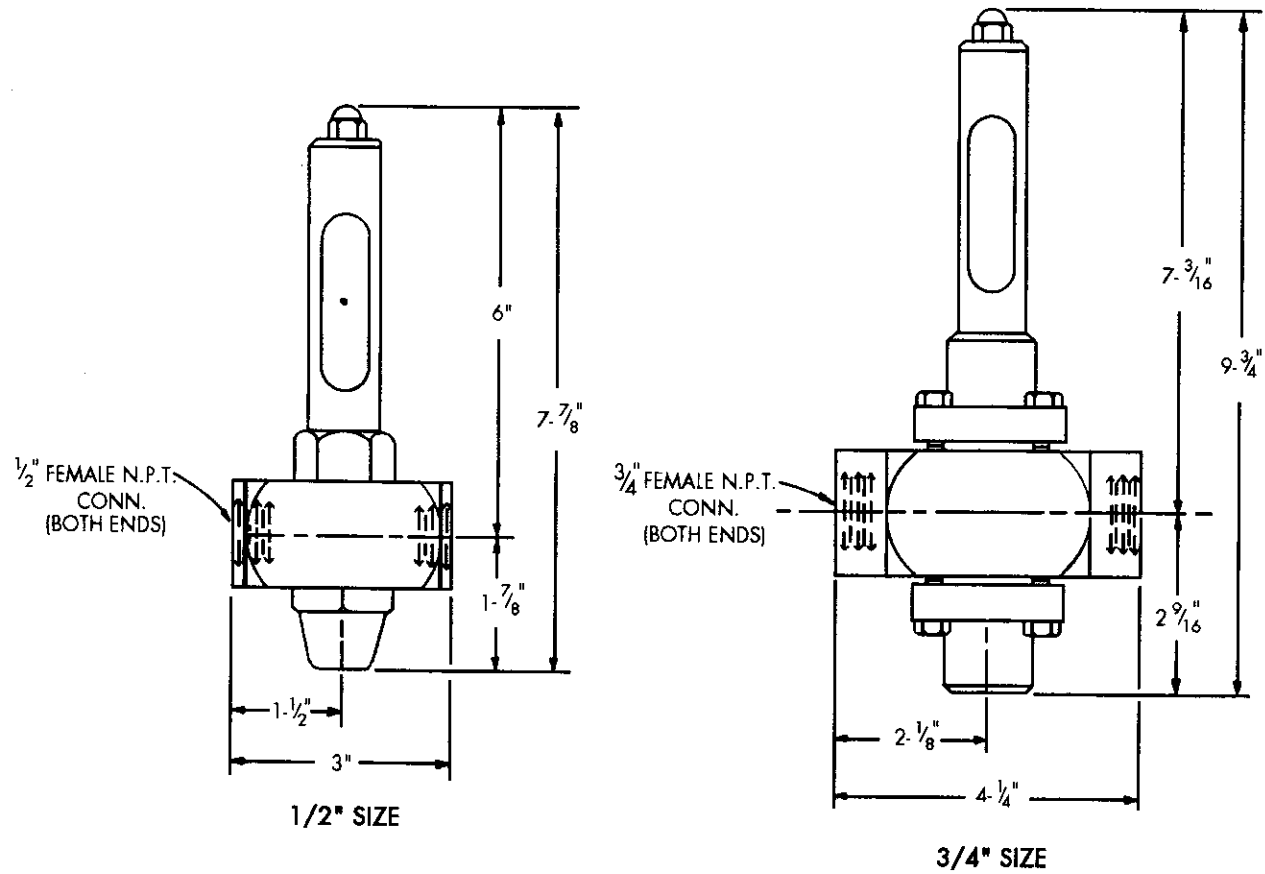


1/2" & 3/4" ARMORED PURGE METER



NOTE: SCALE TUBE AND GUARD MAY BE ROTATED 360°

USFilter

Wallace & Tiernan Products
1901 West Garden Road
Vineland, NJ 08360
856.507.9000 phone
856.507.4125 fax

<http://www.wallaceandtiernan.usfilter.com>

DIMENSIONS
CN 511.030
REVISED 12/97