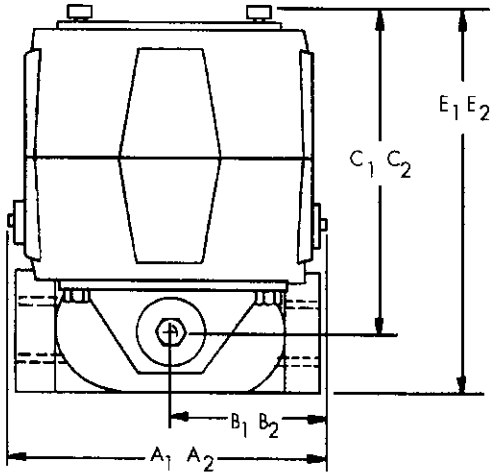
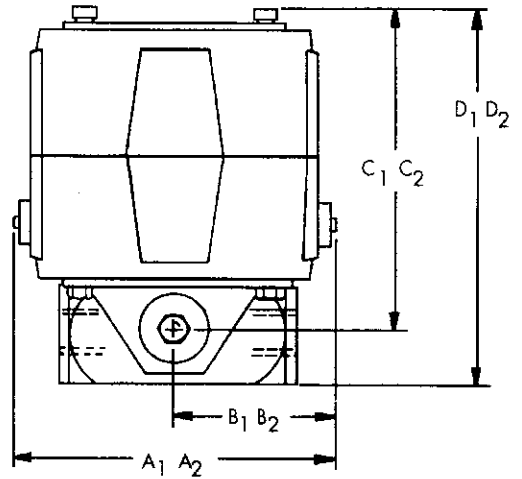


1/2" & 3/4" ARMORED PURGE METER

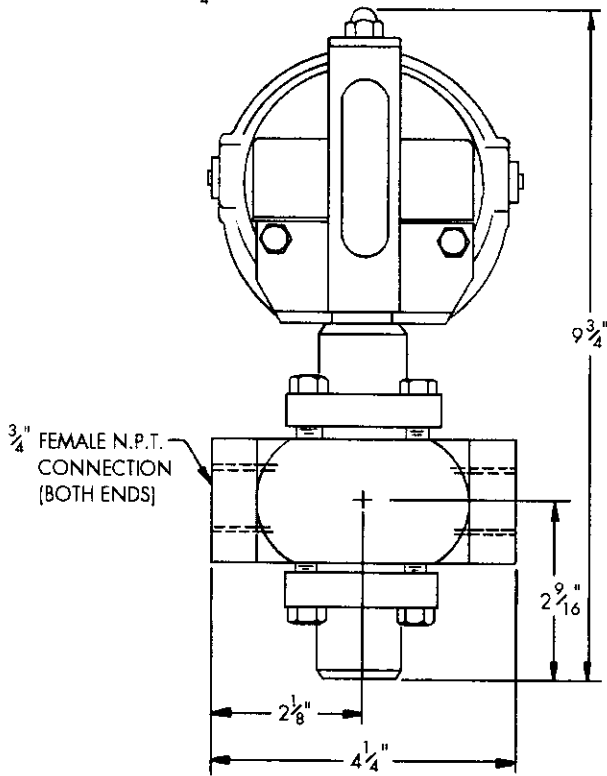
WITH FLOW SWITCH



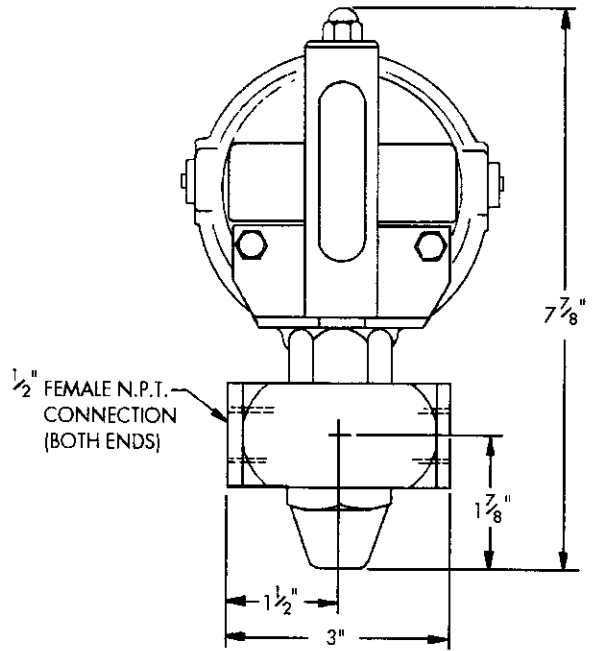
TOP VIEW
3/4" SIZE



TOP VIEW
1/2" SIZE



FRONT VIEW
3/4" SIZE



FRONT VIEW
1/2" SIZE

A ₁	A ₂	B ₁	B ₂	C ₁	C ₂	D ₁	D ₂	E ₁	E ₂
4 3/8"	5 5/8"	2 3/16"	2 13/16"	5 1/4"	5 1/4"	6"	6"	6 3/8"	6 1/8"

A₁, B₁, C₁, D₁, E₁ - SERIES 5600 GENERAL PURPOSE FLOW SWITCH

A₂, B₂, C₂, D₂, E₂ - SERIES 5500 HAZARDOUS LOCATION FLOW SWITCH

USFilter

Wallace & Tiernan Products
1901 West Garden Road
Vineland, NJ 08360
856.507.9000 phone
856.507.4125 fax

<http://www.wallaceandtiernan.usfilter.com>

DIMENSIONS
CN 511.032
REVISED 1/98