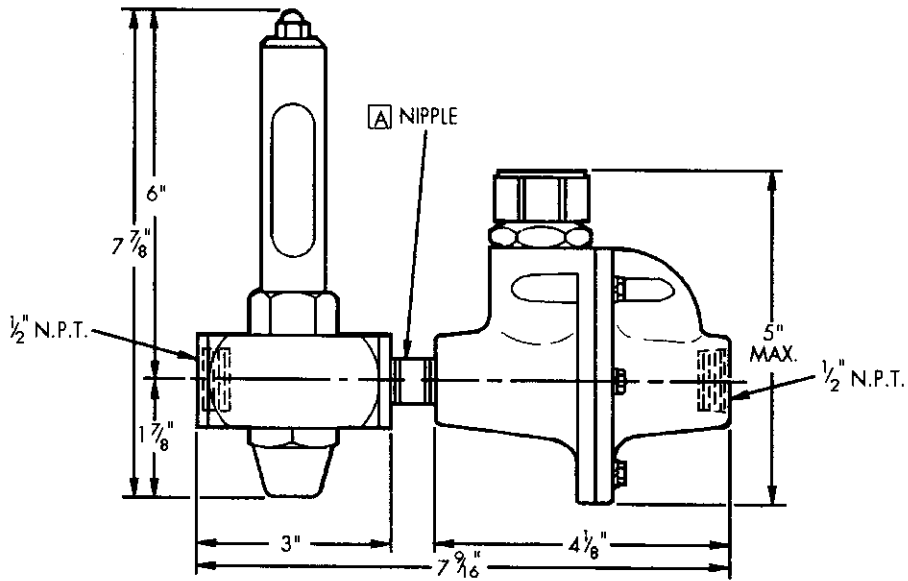
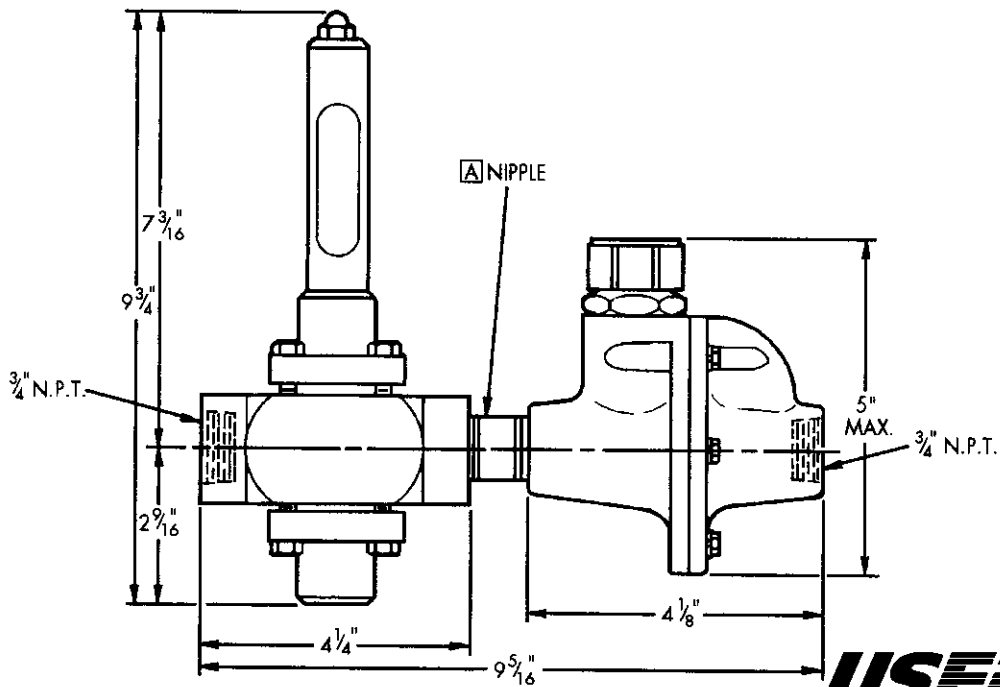


GENERAL PURPOSE FLOW CONTROLLER WITH ARMORED PURGE METER



1/2" ARMORED PURGE METER
WITH SERIES 5700 FLOW CONTROLLER



3/4" ARMORED PURGE METER
WITH SERIES 5700 FLOW CONTROLLER

USFilter

Wallace & Tiernan Products
1901 West Garden Road
Vineland, NJ 08360
856.507.9000 phone
856.507.4125 fax

NOTE: ACCESSORY ITEM FURNISHED ONLY IF SPECIFICALLY LISTED IN QUOTATION AND AS CHECKED ON THIS DRAWING.

<http://www.wallaceandtiernan.usfilter.com>

DIMENSIONS
CN 511.033
REVISED 1/2/98