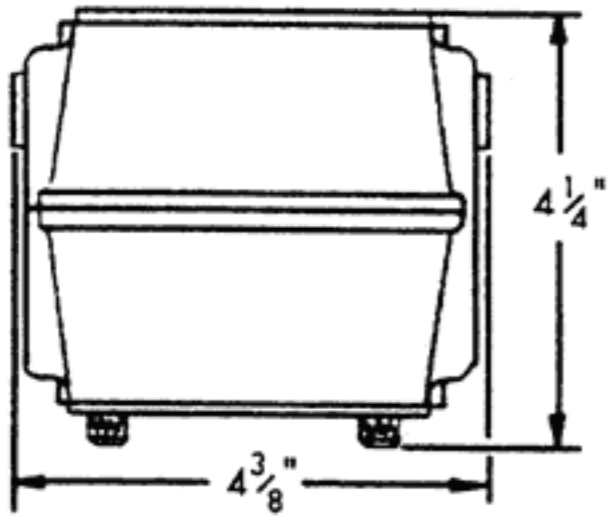
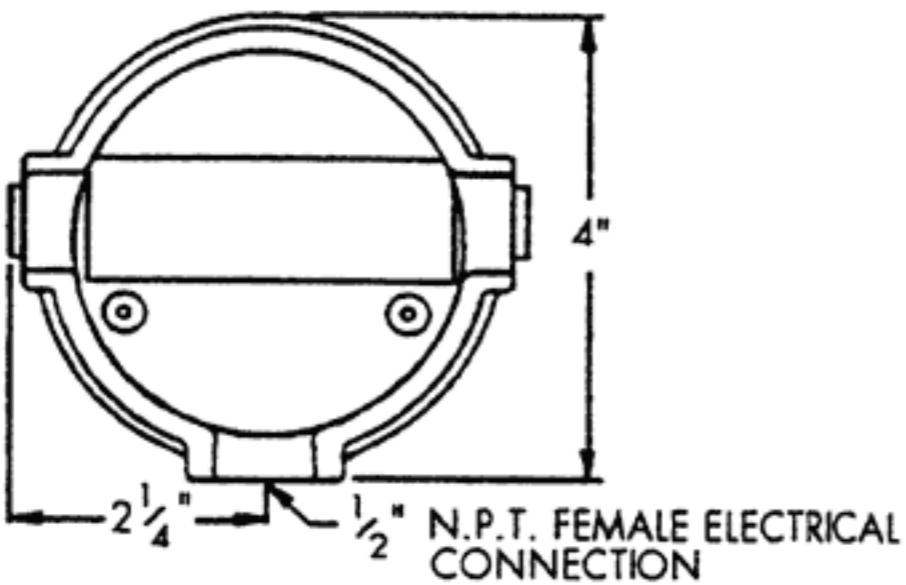


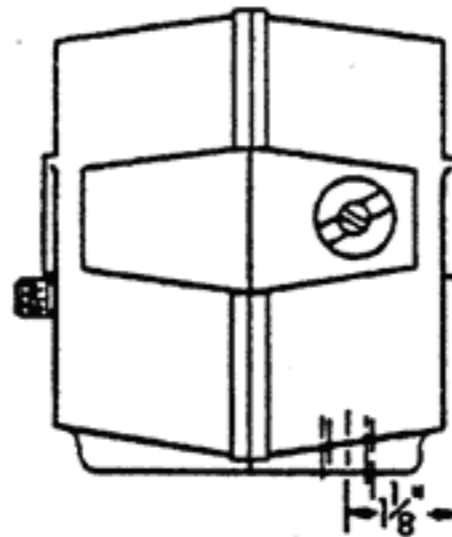
FLOW SWITCH



TOP VIEW

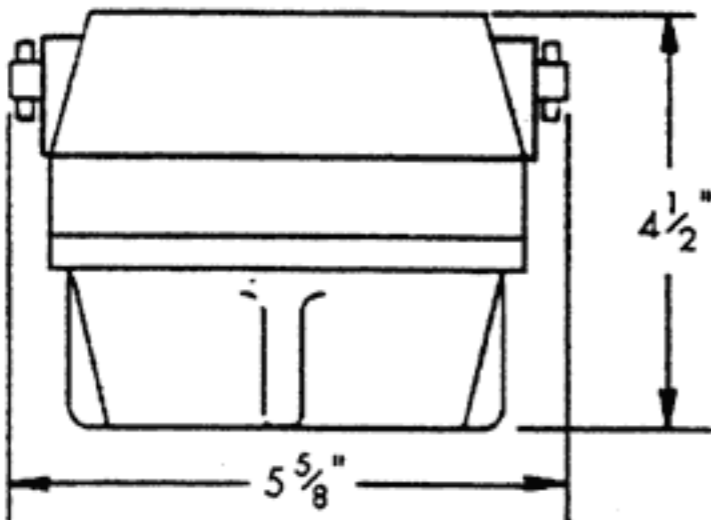


FRONT VIEW

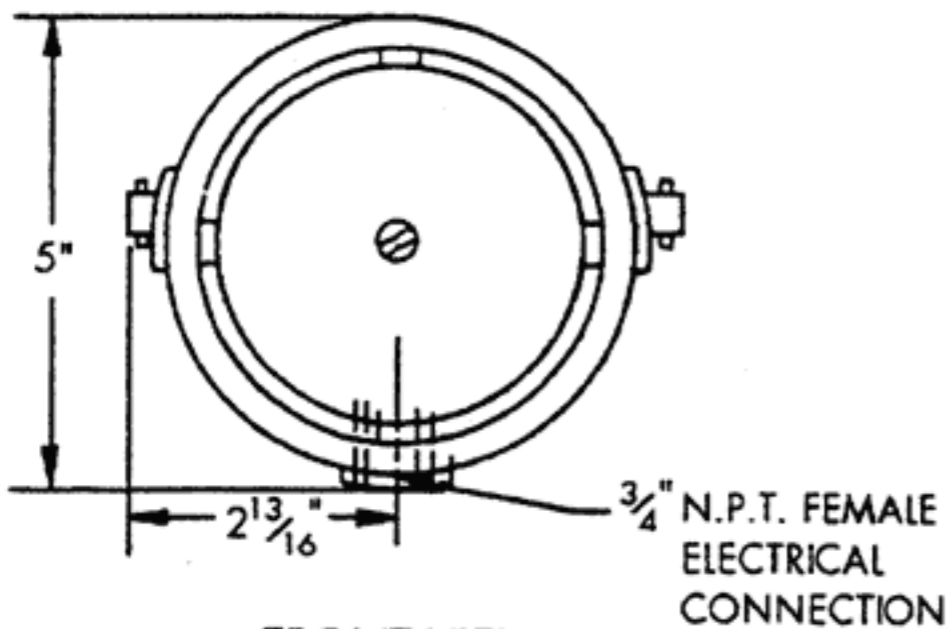


SIDE VIEW

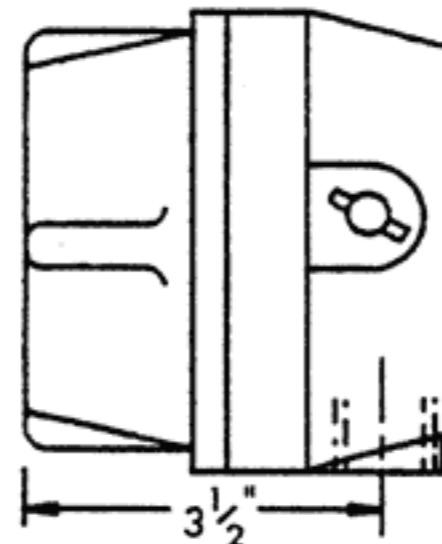
SERIES 5600
GENERAL PURPOSE FLOW SWITCH
NEMA - 4 ENCLOSURE



TOP VIEW



FRONT VIEW



SIDE VIEW

SERIES 5500
HAZARDOUS LOCATION FLOW SWITCH

UL LISTED FOR CLASS I, DIV. 1 & 2, GROUPS C&D.
OR
CLASS II, DIV. 1 & 2, GROUPS E, F & G.
HAZARDOUS LOCATION (▲)

NOTE:

(▲) AS DEFINED BY NEC

USFilter

Wallace & Tiernan Products
1901 West Garden Road
Vineland, NJ 08360
856.507.9000 phone
856.507.4125 fax

<http://www.wallaceandtiernan.usfilter.com>

DIMENSIONS
CN 551.200
REVISED 5/99