

# MODEL PD233, PD243, PD253 DIGITAL TEST PRESSURE GAUGE



## FEATURES

- Vacuum, compound pressure, 5 to 7,000 psi
- High accuracy 0.05% FS Total Error Band
- Available with 0.1% or 0.25% FS accuracy
- 5 digit LCD, % bargraph & battery level indication
- Large 0.66" (16.7 mm) display in compact 3" case
- Battery powered
- Intrinsically safe, Class I, Div 1
- Rugged & portable design
- Stainless steel case & socket welded
- Twelve engineering units
- Max & Min pressure
- Password protected

## SPECIFICATIONS

Except where noted all specifications apply to operation at +25°C.

**Type:** Precision Digital Test Pressure Gauge

**Pressure Input:** Vacuum to 7,000 psi & compound; see other engineering units below

**Display:** 0.66" (17 mm) 5 digit LCD, 99999

**Accuracy:** 0.05%, 0.10% or 0.25% FS Terminal Point, Total Error Band (TEB) including hysteresis, linearity, repeatability, and temperature drift.

**Temperature Corrected:** From -18 to 65°C

**Certificate of Calibration:** 10-point individual calibration chart, standard for model PD253; optional for other models.

**Backlight:** Standard, manual or auto off

**Bargraph:** 10-segment %FS and battery level indicator

**Case Size:** 3" diameter

**Case Material:** 300 Series stainless steel

**Case Finish:** Electropolished

**Case Rating:** NEMA 4X, IP65; protective rubber boot optional

**Wetted Materials:** 316 stainless steel

**Socket Size:** 1/4" NPT

**Socket Location:** Lower connection, 6 o'clock

**Mounting:** Stem (standard), panel (optional)

**Case Protection:** 300 Series stainless steel protective cover and protective carrying pouch included.

**Weight:** 12.5 oz (354 g)

**Power:** Three AAA alkaline batteries included

**Battery Life:** >1000 hours

**Operating Temperature:** -18 to 65°C

**Storage Temperature:** -40 to 82°C

**Relative Humidity:** 0 to 90% non-condensing

**Approvals:** FM Approved & CSA Certified as intrinsically safe for use in Class I, II, III, Division 1, Groups A, B, C, D, E, F, & G; T-code = T4. Non-incendive for use in Class I, II, III, Division 2, Groups A, B, C, D, F, & G; Type 4 hazardous (Classified) locations.

### Keypad Functions

**On/Off:** Manually turns unit on and off; auto off options in configuration menu.

**Backlight:** Manually turns backlight on and off; auto off options in configuration menu.

**Max/Min:** Displays max & min values.

**Zero/Clear:** Zeros display or clears max & min values when values are displayed.

**Enter:** Selects items in configuration menu.

### Menu Mode

**Configuration Mode (CONFIG):** Allows scrolling through configuration menus to select available options.

**Engineering Units:** psi, inHg, inH<sub>2</sub>O, ftSW, Bar, mBar, kPa, MPa, mmHg, cmH<sub>2</sub>O, mmH<sub>2</sub>O, kg/cm<sup>2</sup>

**Display Update Rate:** 4 settings: 10/sec, 5/sec, 2/sec, 1/sec

**Auto Off:** 5 settings: Never, 2, 5, 15, or 30 minutes

**Backlight:** 5 settings: On/off, 10 sec, 30 sec, 1 min, 5 min

**Language:** 7 Languages: English, Spanish, French, Italian, German, Portuguese, and Dutch.

**Dampening:** 5 settings: None, Average: 2, 4, 6, 8 readings

**Contrast:** 7 settings

**Field Calibration:** Zero & span (password protected)

**Disable:** Password allows lockout of configuration settings.

**Zero Disable:** Allows disabling of Zero button.

YOUR LOCAL DISTRIBUTOR IS:

# MODEL PD233, PD243, PD253 DIGITAL TEST PRESSURE GAUGE

## Digital Test Gauge Pressure Ranges

Compound (psi)	kPa	Bar/kg/cm <sup>2</sup>	Compound (Bar)	mmH <sub>2</sub> O	MPa	mBar/cmH <sub>2</sub> O	Absolute (psia)
-15 to 15	-100 to 0	1	-1 to 0	3000	1	250	15
-15 to 30	25	1.6	-1 to 1	5000	1.6	300	25
-15 to 60	40	2.5	-1 to 2	10,000	2.5	400	50
-15 to 100	60	4	-1 to 3		6	500	
	100	6	-1 to 30		10	600	
	160	10			40	1000	
	250	16				1600	
	400	25				2000	
	600	40				2500	
	1000	60				4000	
		100				5000	
		160				6000	
		250				10,000	
		400					
		500					

Pressure Range Code (##)		
##Code	Range	Units
C1	-15/15	Compound psi
C2	-15/30	
C3	-15/60	
C4	-15/100	
00	-15/0	Vacuum psi
01	5	Pressure psi
02	10	
03	15	
04	30	
05	60	
06	100	
07	160	
08	200	
09	300	
10	500	
13	1000	
14	1500	
15	2000	
16	2500	
17	3000	
18	5000	
19	7000	

### ORDERING INFORMATION

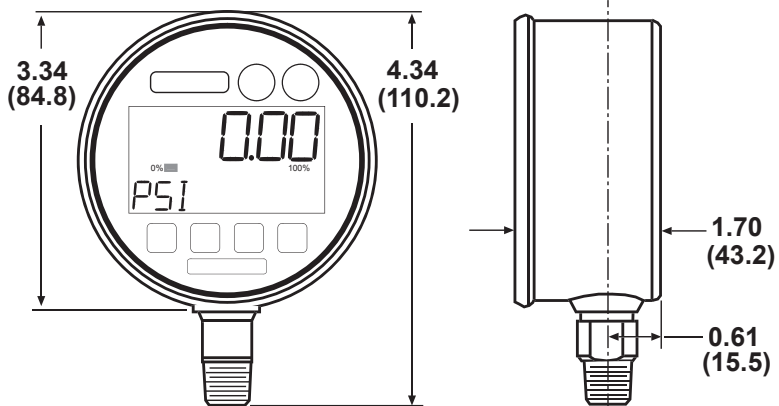
Model	Description	Accuracy	Options & Features
PD233-BK0-4N-##	FM Approved & CSA Certified Digital Test Pressure Gauge with Backlight	0.25% FS Total Error Band	<b>Oxygen Service:</b> Enter "X" before ## code <b>Front Flange:</b> Enter "G" in place of "N" Ordering Example: PD253-BK0-4GX06
PD243-BK0-4N-##		0.10% FS Total Error Band	
PD253-BK0-4N-##		0.05% FS Total Error Band	

### Accessories

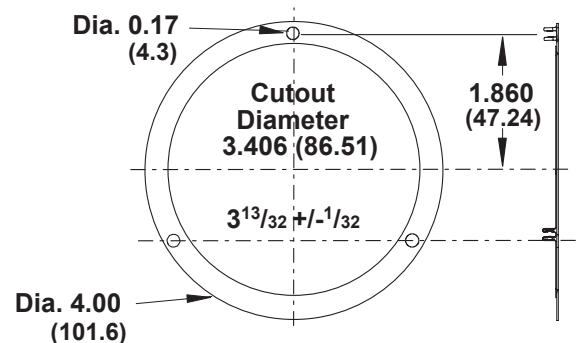
Model	Description
PDA2000	ABS Carrying Case 3" Gauges
PDA2004	Throttle Plug (Standard Orifice 0.013") 3" Gauges
PDA-SSTAG	Stainless Steel Tag
PDN-CERTCON2	Certificate of Conformance
PDN-ADHSTAG	Laminated Paper Tag Label
PDN-CERTCAL3	Certificate of Calibration (as shipped)
PDN-CERTCAL4	Cert of Cal (as received & as shipped)

Note: Additional codes will be provided upon request for other ranges listed.

## Dimensions



## Panel Mounting Dimension



Flange is welded to case

LDS233\_A 06/05