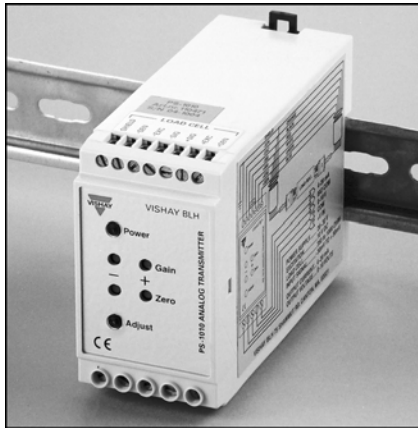


Web Tension Transmitter



FEATURES

- Signal Conditioner/Amplifier for Single Zone Web Tension Measurement
- Eliminates low tension signal drift
- Simple System Set Up and Calibration
- Compact - Lightweight DIN Rail “Snap Track” Installation
- Independent Zero and Span Adjustments
- Galvanically Isolated 0-10V, 4-20mA Output Signals
- Bipolar Uplifting or Downward Tension Force Measurement
- Low power - 24Vdc @ 125 mA
- Filters any electrical noise caused by AC drives, servo motors, and switching devices

DESCRIPTION

PS-1010T Transmitter provides signal conditioning, amplification, and an isolated analog output signal for web tension measurement and control systems.

The galvanically isolated analog output signal accurately tracks web tension force signals for precise brake/clutch control or remote panel meter display.

“Snap on” DIN Rail mounting and full front panel configuration significantly reduce system start-up time.

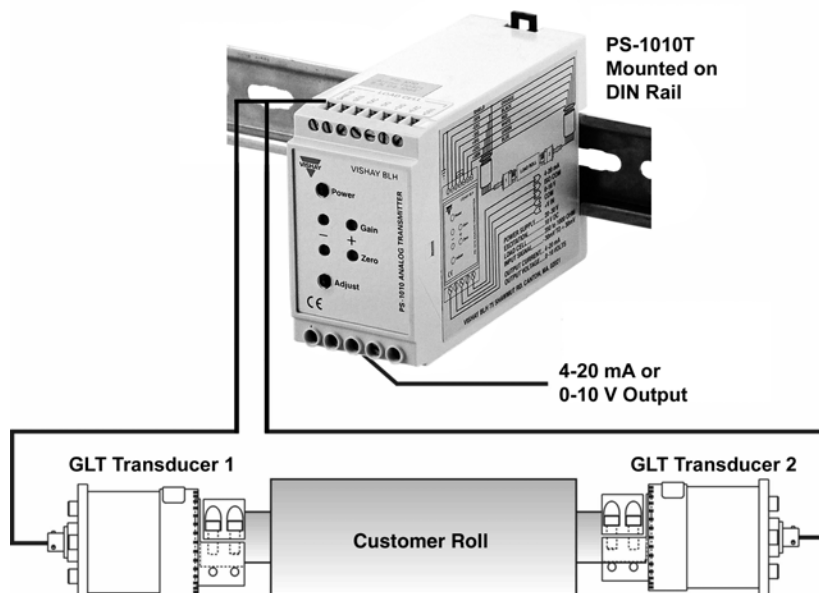
When combined with precision, factory calibrated, Vishay transducers, PS-1010T Systems perform superbly, eliminating signal drift and constant recalibration requirements.

The PS-1010T transmitter is designed to provide long term reliability wherever tension is to be measured and controlled in the continuous processing of paper; plastic, film, foil, tape, rubber, filament, wire, cable and many other products.

APPLICATIONS

- Single zone web tension measurement
- Paper, film, foil converting equipment
- Winders and rewinders
- Laminating and coating sections

CONFIGURATION



Accompaniment Product



GLT Web Tension Transducers with pillow block or conventional frame mounting options (document number: 12199)



SPECIFICATIONS

PERFORMANCE

Full Scale Input	-3.0 to +3.0 mV/V full bridge
Dead Load Range	± 100% full scale output
Calibration Range	0.2 to 2.5 mV/V for nominal output (1:12.5)
Linearity	0.01% full scale output
Common Mode Rejection	120 dB minimum
Common Mode Input	±20% of excitation voltage
Temperature Stability	50 ppm/°C
Response Time	<100 ms
Input Impedance	>250 MOhms nominal

ENVIRONMENT

Operating Temperature	0 to 55°C (32 to 131°F)
Storage Temperature	-25 to 55°C (-13 to 131°F)
Humidity	85% at 55 degrees C
Atmosphere	nonflammable and noncorrosive

TRANSDUCER SUPPLY

Excitation	10.0 volts dc (symmetric ±5V)
Gage Resistance	175 -1000 Ohms
Gage Type	foil (2-3mV/V), full bridge
Number of load cells	two (2) per tension zone

POWER SUPPLY

Supply Voltage	24 Vdc @ 125 mA
Range	20 to 30 Vdc

ANALOG OUTPUT SIGNALS

Voltage	0-10 Vdc @ >2K Ohms
Current	4-20mA @ < 700 Ohms
Galvanically Isolated	Yes

INTERFACE

panel indicator or PLC input

ENCLOSURE

Type	DIN-Rail mount
Overall Size	45 x 75 x 105 mm L x H x D (1.77 x 2.95 x 4.13 inches L x H x D)
Weight	185 grams (6.5 oz)
Terminals	standard screw clamp type

APPROVALS

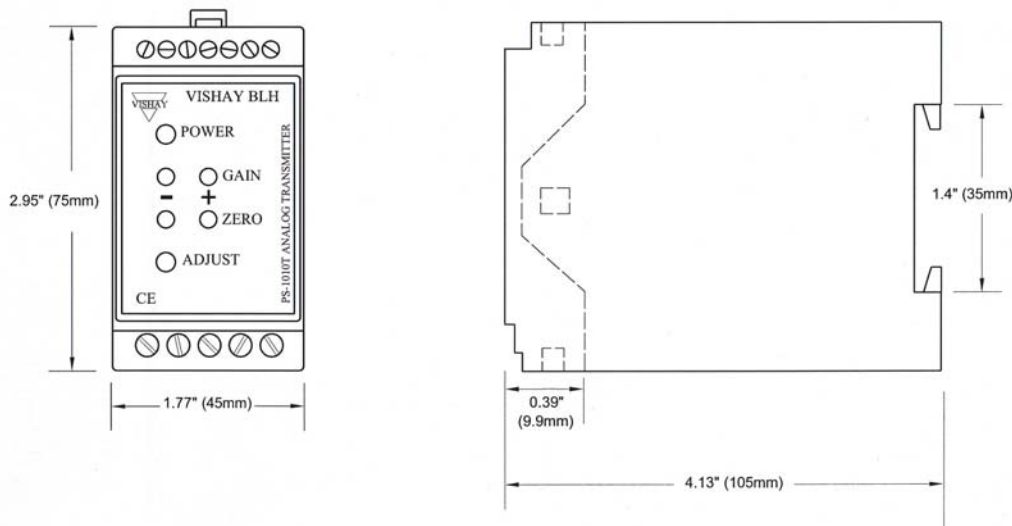
CE	conforms to IEC 61326
----	-----------------------

OPERATING CONDITIONS

Pollution	pollution degree 2
Protection	IP20 enclosure

Vishay is continually seeking to improve product quality and performance. Specifications may change without notice.

OUTLINE DIMENSIONS



VISHAY TRANSDUCER SYSTEMS (VTS) - SALES OFFICES

VTS Americas Systems Products Canton, MA

PH: +1-781-298-2200
Fax: +1-781-762-3988
vts.us@vishaymg.com

VT Canada Toronto

PH: +1-416-251-2554
Fax: +1-416-251-2690
vt.can@vishaymg.com

VT Sweden Karlskoga

PH: +46-586-630-00
Fax: +46-586-630-99
vt.se@vishaymg.com

VMG UK Basingstoke

PH: +44-125-646-2131
Fax: +44-125-647-1441
vt.uk@vishaymg.com

VMG Germany Heilbronn

PH: +49-7131-3901-260
Fax: +49-7131-3901-2666
vt.de@vishaymg.com

VMG France Chartres

PH: +33-2-37-33-31-20
Fax: +33-2-37-33-31-29
vt.fr@vishaymg.com

VMG Israel Netanya

PH: +972-9-863-8888
Fax: +972-9-863-8800
vt.il@vishaymg.com

VT Norway Systems Products Oslo

PH: +47-22-88-40-90
Fax: +47-22-88-40-99
vt.no@vishaymg.com

VT Finland Systems Products Jorvas

PH: +358-9-8194-220
Fax: +358-9-8194-2211
vt.fi@vishaymg.com

VT China Tianjin

PH: +86-22-2835-3503
Fax: +86-22-2835-7261
vt.prc@vishaymg.com

VT Taiwan* Taipei

PH: +886-2-2696-0168
Fax: +886-2-2696-4965
vt.roc@vishaymg.com
*Asia except China