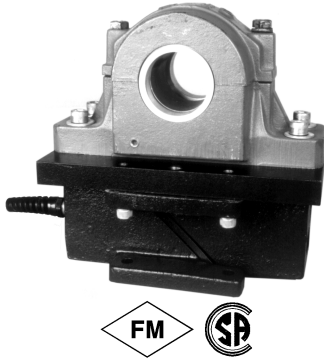


Web Tension Measurement Modules



FEATURES

- Capacity range: 500, 1K, 2K, 5K, 10K, 20K and 50K lb (227, 454, 907, 2.27K, 4.54K, 9K and 22.7K kg)
- Rugged stainless steel 'I' beam sensing section
- Resultant forces measure in the up or down direction
- Full Wheatstone bridge with Vishay SR-4® foil strain gages
- Factory calibration eliminates need for on-site test weights
- Optional adapter plate designed for on-site installation of overload safety stops
- FM and CSA approved

DESCRIPTION

HTZ-3 Web Tension Measurement Modules are designed to mount directly below roller pillow blocks in new or existing installations. Each module includes an integral mounting pad for use with an optional pillow block adapter plate. Adapter plate design allows upward or downward measurement and provides safety stop installation points at each corner. Transducers are machined from high strength stainless steel to yield a rugged 'I' Beam sensing section. A full Wheatstone bridge array of temperature compensated, Foil SR-4® Strain Gages are attached to this section and calibrated for precision accuracy. Resulting temperature stability is due to closely matching the expansion coefficient of the sensing section to the gages.

Module sealing meets NEMA 4 and IP65 requirements. An integral cable conduit fitting, epoxy sealed strain gages, and a stainless steel transducer ensure long-term reliability in wet or washdown locations.

Space required below the pillow block bearing is minimal, resulting in negligible line profile changes on retrofit installations. Overall height of the 1000 pound module is 2 inches. Vishay BLH provides HTZ-3 sizing recommendations based upon the actual sensing roll configuration.

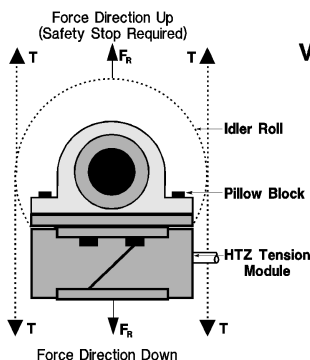
Modules are calibrated and certified with matched output signals to permit on-site, push-button system calibration.

APPLICATIONS

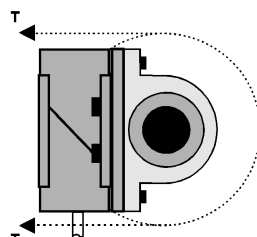
- Paper producing machines
- Roofing shingle manufacturing
- Printing presses
- Laminator zones
- Dryer zones
- Coating zones
- Felt measurement

CONFIGURATION - SYMMETRICAL WRAP ANGLES ONLY

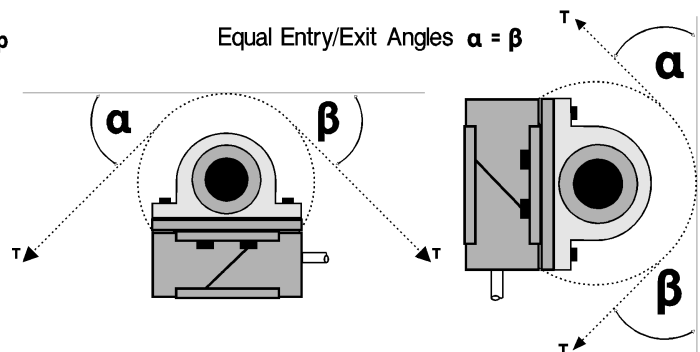
Horizontal Mounting 180° Wrap with Force Directed Up or Down



Vertical Mounting 180° Wrap



Equal Entry/Exit Angles $\alpha = \beta$





SPECIFICATIONS

Performance (% Rated Output)

Capacity	500, 1K, 2K, 5K, 10K, 20K, 50K lb (227, 454, 907, 2.27K, 4.54K, 9K and 22.7K kg)
Rated Output (R.O.)	2.0 mV/V \pm 0.1%
Repeatability	0.01% R.O.
Combined Error (best fit)	0.10% R.O.
Zero Balance	5% R.O.
Creep (20 minutes)	0.03% R.O.
Temperature Effects:	
Zero Balance	0.0017% R.O./°F (0.003%/°C)
Output	0.0020% Reading/°F (0.0036%/°C)

Electrical

Input & Output	350W \pm 3W
Resistance	
Recommended	10 or 15 Vac/dc
Excitation	
Maximum Excitation	18 Vac/dc

Temperature

Operating Range	-40 to 220°F (-40 to 105°C)
Compensated Range	30 to 130°F (-1 to 54°C)

Overload Rating - % Rated Capacity

Safe Load	150
Ultimate Load	300

Material

Beam	15-5PH Stainless Steel
Brackets	Ductile Iron with Enamel Paint*
Environmental Class	NEMA 4/IP65
Moisture Protection	IEC Recommendation 68-2-4 Test D, 100 Cycles

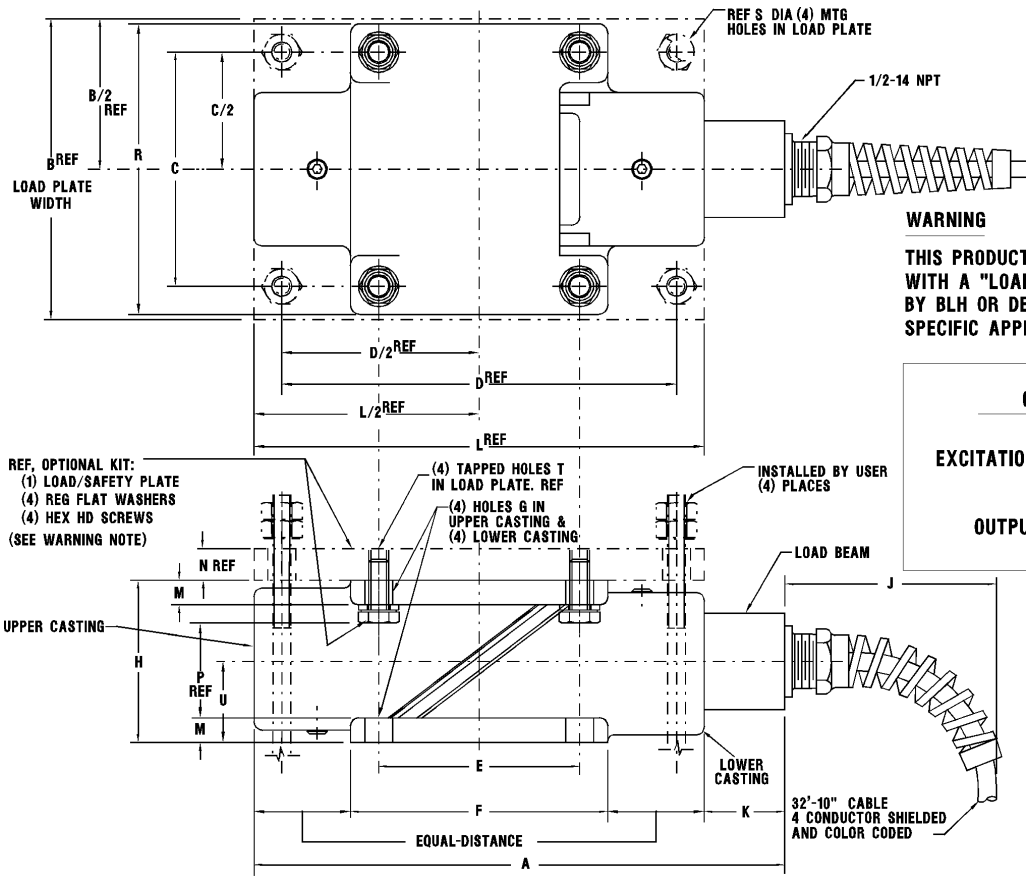
Deflection Under Load Unit Weight

Capacity (lb)	Deflection	Weight
500, 1K	0.012 in.	10 lb
2K	0.013 in.	15 lb
5K	0.027 in.	15 lb
10K	0.023 in.	35 lb
20K	0.047 in.	50 lb
50K	0.066 in.	75 lb

Approvals

FM (Factory Mutual)	3611 (Class I, II, III; Div. 1,2; Groups A-G)
CSA	C22.2 (Class I, II, III; Div. 1,2; Groups A-G)
*single component, waterborne polyurethane copolymer - high gloss	

OUTLINE DIMENSIONS



CAPACITY (lb)	A	B REF	C	D REF	E	F	G	H	J	K	L REF	M TYP	N REF	P REF	R	S REF	T REF	U
500	7.50	4	3.0	5.0	2.56	3.5	.32	2.00	3	1.50	6	.31	1/2	1.16	3.88	.50	1/4-20	1.00
1,000										1.25	7	.38	5/8	1.43	4.5	.62	3/8-16	1.25
2,000	8.25	4 1/2	3.62	6.0	3.12	4.0	.43	2.50		9	.56	3/4	1.91	5.5	.75	3/8-16	1.67	
5,000										FLUSH WITHIN +/- .12	10	.75	7/8	2.03	6.38	.88	7/16-14	1.94
10,000	9.00	5 1/2	4.42	8.0	3.92	5.0	.43	3.34		12	1.00	1 1/4	2.03	7.50	1.00	5/8-11	2.30	
20,000	10.00	6 1/2	5.06	8 3/4	4.18	5.5	.50	3.88										
50,000	12.00	8	6.00	10	5.00	6.5	.69	4.60										

Dimensions shown in inches.

Vishay BLH is continually seeking to improve product quality and performance. Specifications may change accordingly.

VISHAY TRANSDUCERS (VT) SALES OFFICES

VT Americas
System Products
Norwood, MA
PH: +1-781-298-2200
FAX: +1-781-762-3988
vts.us@vishaymg.com

VT Norway
System Products
Oslo
PH: +47-22-884090
FAX: +47-22-884099
vt.no@vishaymg.com

VT Canada
Toronto
PH: +1-416-251-2554
FAX: +1-416-251-2690
vt.can@vishaymg.com

VT Finland
System Products
Jorvas
PH: +358-9-8194-220
FAX: +358-9-8194-2211
vt.fi@vishaymg.com

VMG UK
Basingstoke
PH: +44-125-646-2131
FAX: +44-125-647-1441
vt.uk@vishaymg.com

VMG Israel
Netanya
PH: +972-9-863-8888
FAX: +972-9-863-8800
vt.il@vishaymg.com

VT Sweden
Karlskoga
PH: +46-586-630-00
FAX: +46-586-630-99
vt.se@vishaymg.com

VT China
Tianjin
PH: +86-22-2835-3503
FAX: +86-22-2835-7261
vt.prc@vishaymg.com

VMG Germany
Heilbronn
PH: +49-7131-3901-260
FAX: +49-7131-3901-2666
vt.de@vishaymg.com

VT Taiwan*
Taipei
PH: +886-2-2696-0168
FAX: +886-2-2696-4965
vt.roc@vishaymg.com
*Asia except China

VMG France
Chartres
PH: +33-2-37-33-31-20
FAX: +33-2-37-33-31-29
vt.fr@vishaymg.com