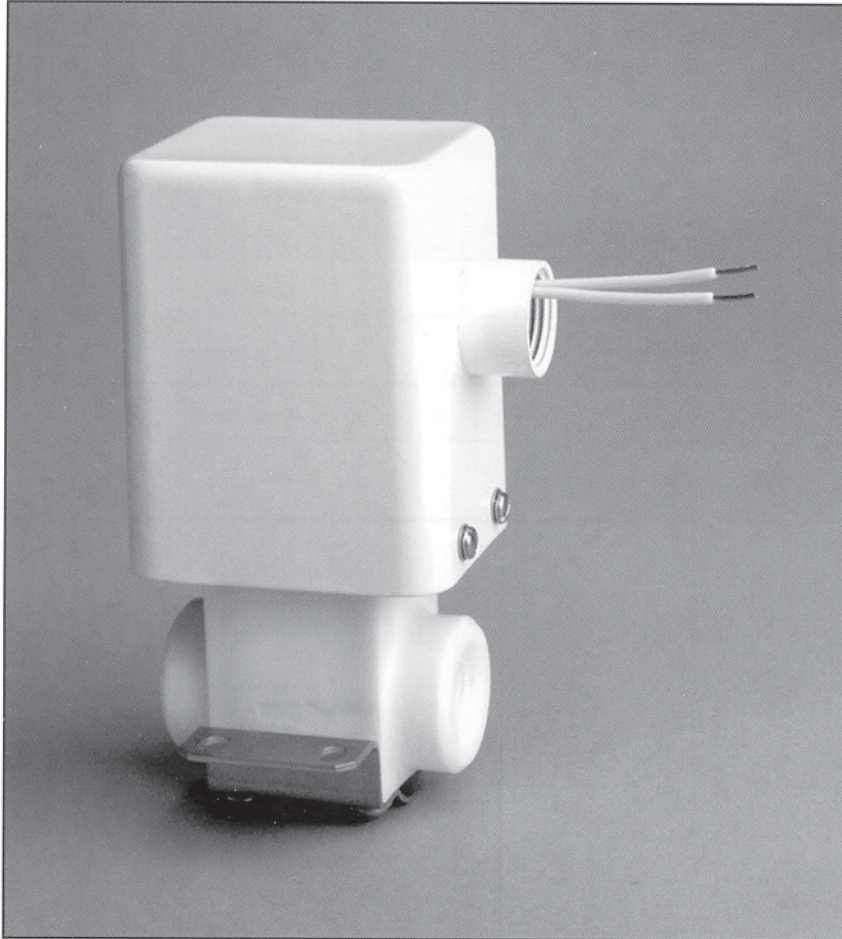


# High Purity Solenoid Valve

2-Way, Normally Closed

Model: SV81



## APPLICATIONS

Model SV81 is suitable for a broad range of light industrial applications, both new and retrofit. Typical applications employing the Model SV81 include:

- Bottle filling.
- Chemical control.
- Disposal of waste water.

## FEATURES

- Direct acting design of all Teflon® construction.
- No minimum pressure required for operation.
- Inert construction for wide fluid compatibility.
- 40 PSIG liquid pressure capability
- Optional fume resistant enclosure available.

## INTRODUCTION

Valcor Scientific, a Division of Valcor Engineering, has designed and engineered rugged, reliable solenoid operated valves for more than 50 years.

The SV81 Series were specifically engineered for long and reliable general industrial service compatible with a wide range of fluids.

## DESCRIPTION

The SV81 Series are direct acting, two-way, normally closed solenoid valves, utilizing Valcor's Dri-solenoid™ design. This unique de-

sign allows a bellows-type diaphragm to isolate the metal operating parts from the fluid being handled.

The SV81 Series of valves are constructed of virgin TFE Teflon® which provides compatibility with a wide range of fluids and bubble-tight shut-off.

The SV81 Series is available in three models.

## SPECIFICATIONS

Size: ..... 5.5" H x 3.4" W x 3.0" D

Weight: ..... 2.0 lbs. (913 g)

Port Connection: ..... 1/2" NPT

Materials in Contact with Fluid: TFE Teflon®

Coil Construction: ..... UL Class H w/10" Leads

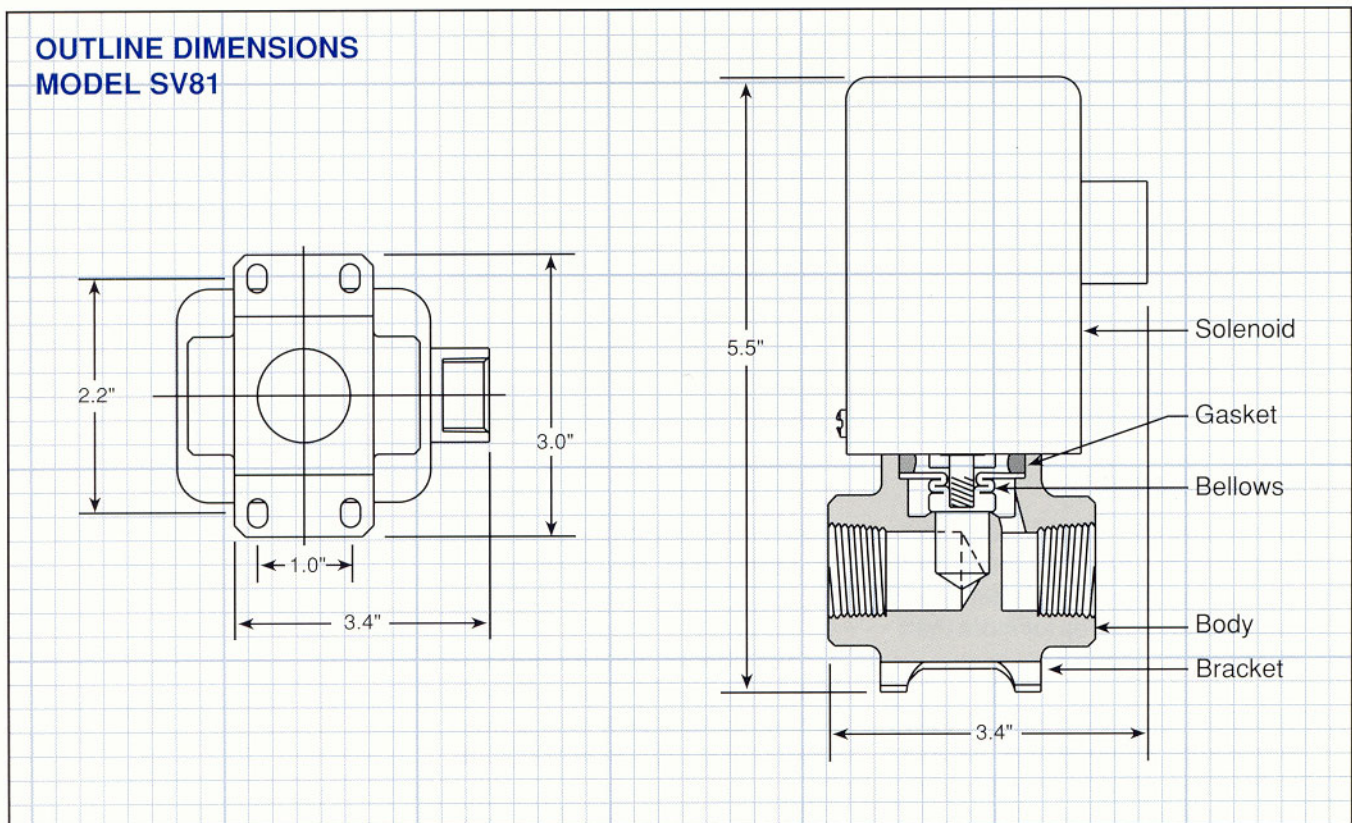
Power: ..... 23 Watts (115/60Hz)

Special Requirements: ..... .Consult Factory

Teflon® is a registered trademark of the DuPont company

## PERFORMANCE SPECIFICATIONS

Model Number	Port Dia. (FNPT)	Orifice Size	C <sub>v</sub>	Max. Operating Pressure (PSIG) Outlet to Atmos.		Minimum Operating Pressure (PSIG)	Inlet to Atmos. Vacuum at Outlet	Max. Inlet Pressure Dead-Ended (PSIG)		Coil	Watts
				Gas	Liquid			Gas	Liquid		
SV81C18HT3S8-8	1/2"	1/2"	3.1	35	30	0	-	-	-	115v/60Hz	23
SV81C18HT3S8-8HP	1/2"	1/2"	3.1	45	40	0	-	-	-	115v/60Hz	23
SV81C18HT3S8-8V	1/2"	1/2"	3.1	-	-	-	28" Hg	25	20	115v/60Hz	23



# 1

**Valcor Scientific**

**Valcor Engineering Corporation®**

2 Lawrence Road • Springfield, New Jersey 07081

973-467-8400 • Fax: 973-467-9592

scientific@valcor.com • www.valcor.com